

0CNP4-M91200EN

Directions for the Parts Catalog.

1. The parts stipulated in this Parts Catalog are not necessarily standard equipped parts.
2. Parts may change without prior notice.
3. The following is an example of the Parts Catalog format.

OCF10-G21601		29. FUEL INJECTION PUMP(W/BOOST)									
REF.	LEV.	PARTS NO.	DESCRIPTION	(A)	(B)	(C)	(D)	(E)	(F)	I	R
1	1	729595-51390	FUEL INJECTION PUMP	1	1	1	1	1			1
1-1	1	729595-51391	FUEL INJECTION PUMP	1	1	1	1	1		N	1
		(A=E00185)	(B=E00200)								
3	2	26022-060162	SCREW M 6X 16	9	9	9	9	9			
3-1	2	26022-060162	SCREW M 6X 16	4	4	4	4	4		K	
		(A=E00156)	(B=E00156)	(C=E00156)	(D=E00156)	(E=E00156)					
4	2	129470-51040	CAMSHAFT	1	1	1	1	1			
5	2	122710-51050	BEARING, ROLLER	2	2	2	2	2			
6	2	129470-51060	RETAINER	1	1	1	1	1			

Remarks
(1) BOOST COMPEMSATOR TYPE. OPTIONAL PART, TO E00155,(4JH-DT, 4JH-DTZ

① Ref. No.

The Ref. No. listed may not be in accordance with the illustration Ref. No.

(Ex.) Illustration No.

List Ref No.

1

1

(Before change)

1-1

(After change)

For interchangeable symbols N, R and K, illustrations for new parts may be abbreviated.

② Lev. (Level)

Level indication

The numbers below indicate the level of relativity towards the main part.

1 ----- Main parts (Assembly parts)

2 ----- Sub component included in " 1 ".

3 ----- Sub component included in " 2 ".

Note) Parts that are not for sale are partially illustrated but not listed.

③ Interchangeability Mark

When a part change takes place, one of the following interchangeability symbols is indicated beside the part.

Symbol	Interchangeability	Contents note
N	Old $\begin{matrix} \leftarrow \text{Yes} \\ \text{No} \rightarrow \end{matrix}$ New	New Part is interchangeable for Old Part but Old Part is not interchangeable for New Part.
Q	Old $\begin{matrix} \leftarrow \text{No} \\ \text{Yes} \rightarrow \end{matrix}$ New	New Part is not interchangeable for Old Part but Old Part is interchangeable for New Part.
R	Old $\begin{matrix} \leftarrow \text{Yes} \\ \text{Yes} \rightarrow \end{matrix}$ New	New/ Old Parts are both interchangeable.
S	Old $\begin{matrix} \leftarrow \text{No} \\ \text{No} \rightarrow \end{matrix}$ New	New/ Old Parts are both not interchangeable.
W		Part newly added.
Z		Part discontinued.
F		Not interchangeable by a single part but interchangeable together with related parts.
K		Changes only for used parts quantities.

④ Effective Machine No.

When a part changes, the effective Machine No. will be indicated in the (A)-(F) column.

Product Symbol	Product No.	Product Symbol	Product No.
C	Clutch No. Compressor No.	F	Machine No. (Agricultural Equip.)
D	Drive No.	M	Machine No.
E	Engine No.		

Note 1) A date may follow the symbol. (Ex.) 1996.01

Note 2) "XXXXX" and "ZZZZZ" are for parts that could not be predicted or for engine models that could not be identified.

Note 3) (A=E00185) is the E (Engine Serial Number) for the column (A) model (in this case 4JH-DT) after the parts design change.

⑤ Remarks Mark

Figures or alphabets (symbols) are entered in the remarks column.

The comments (remarks) on parts that are indicated at the bottom of the illustration are the same symbols as those stated above.

Contents

Fig. No. Fig. Name

PULLEY&TENSION SECTION

1. TENSION ARM
2. PULLEY

FRAME SECTION

3. BODY FRAME

TRAVELING SECTION(1)

4. IDLER
5. TRACK ROLLER

CONTROL SECTION

6. HANDLE
7. DEADMAN LEVER
8. BRAKE LEVER
9. HST LEVER
10. SIDE CLUTCH LEVER
11. HST TANK

PLATFORM CARRIER SECTION

12. HYDRAULIC PUMP (G,S TYPE)
13. HYDRAULIC PUMP (VP TYPE)
14. HYDRAULIC CYLINDER
15. PLATFORM CARRIER (G TYPE)
16. PLATFORM CARRIER (S TYPE)

Fig. No. Fig. Name

17. PLATFORM CARRIER (VP TYPE)

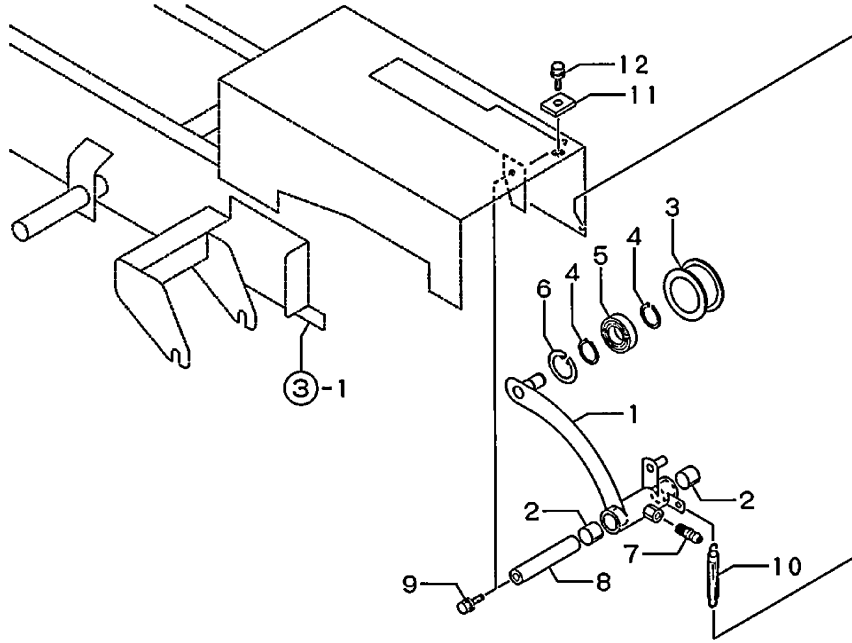
LABELS SECTION

18. LABELS&ACCESSORIES

TRAVELING SECTION(2)

19. TRANSMISSION PARTS(1)
20. TRANSMISSION PARTS(2)

Fig.1. TENSION ARM



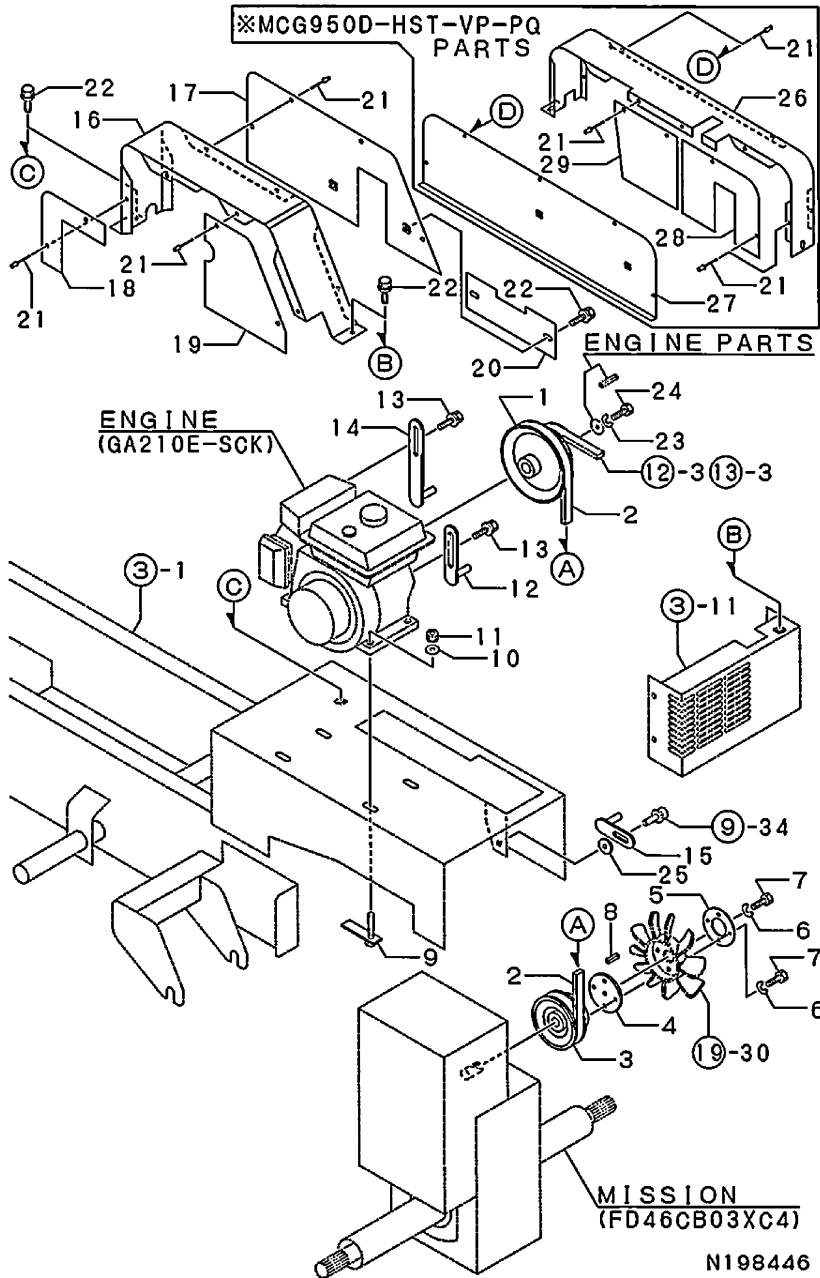
N198445

(A)=MCG950D-G
(B)=MCG950D-S
(C)=MCG950D-VP

(D)=
(E)=
(F)=

No.	Lev.	Parts No.	Description	Q'ty						I	R
				(A)	(B)	(C)	(D)	(E)	(F)		
1	1	1N3568-22000	TENSION ARM	1	1	1					
2	1	1N3510-61010	LINER,R-ML1615,M	2	2	2					
3	1	1N1430-22070	ROLLER,TENSION	1	1	1					
4	1	22242-000150	RING, 15	2	2	2					
5	1	24104-062024	BEARING, BALL 6202UU	1	1	1					
6	1	22252-000350	RING, 35	1	1	1					
7	1	24761-060000	NIPPLE, GREASE MT6X1	1	1	1					
8	1	1N3568-22050	SHAFT,TENSION ARM	1	1	1					
9	1	26018-080202	BOLT, M8X 20	2	2	2					
10	1	1N1190-45000	SPRING 11X72.5,TENS.	1	1	1					
11	1	1N3568-61070	BRACKET	1	1	1					
12	1	1N1291-58080	BOLT 6X16 W/P&SW.	1	1	1					

Fig.2. PULLEY

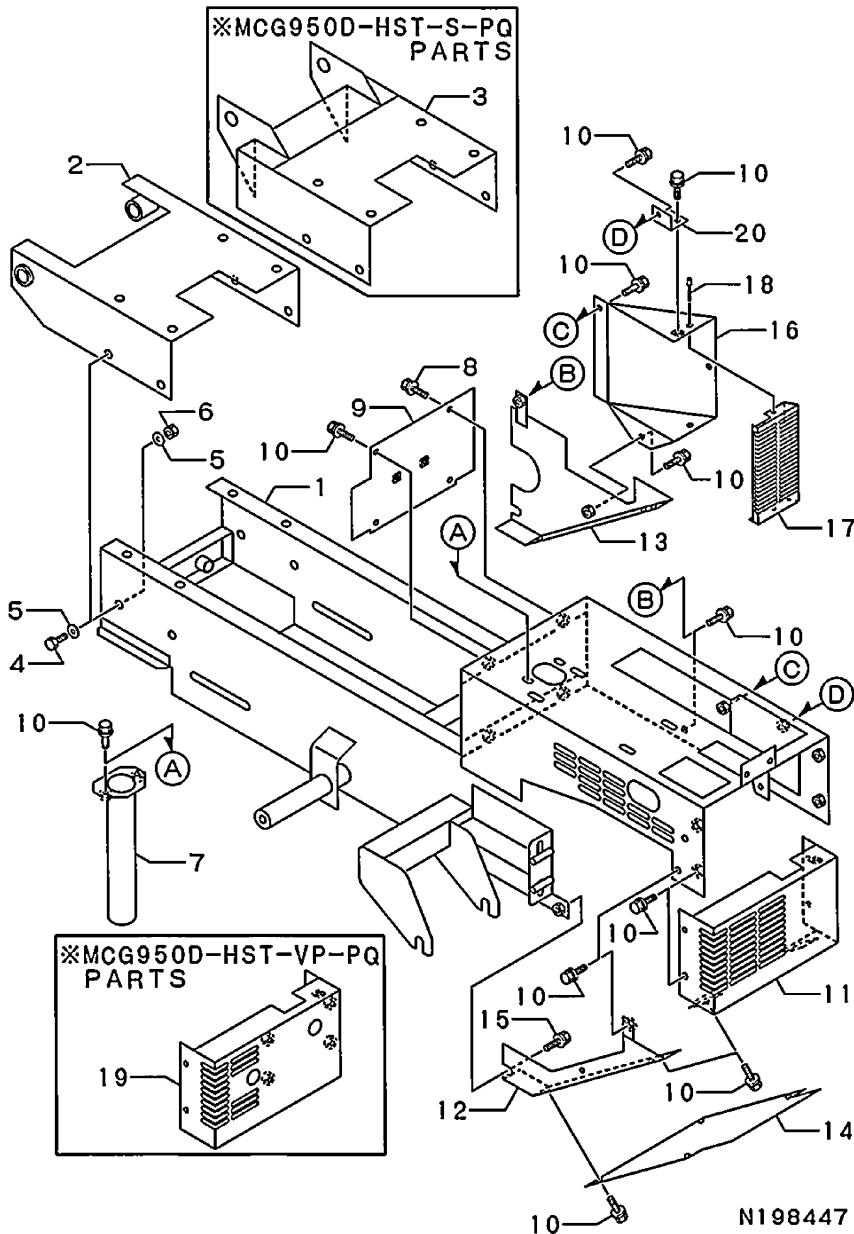


(A)=MCG950D-G
 (B)=MCG950D-S
 (C)=MCG950D-VP

(D)=
 (E)=
 (F)=

No.	Lev.	Parts No.	Description	Qty						I	R
				(A)	(B)	(C)	(D)	(E)	(F)		
1	1	1N3568-21010	PULLEY,ENGINE	1	1	1					
2	1	25123-003401	V-BELT, B34H	1	1	1					
3	1	1N3568-21000	PULLEY,MISSION HST	1	1	1					
4	1	1N3516-21020	RETAINER,PULLEY	1	1	1					
5	1	1N3507-21030	STOPPER(B)	1	1	1					
6	1	22217-060000	WASHER, SPRING 6	5	5	5					
7	1	26116-060164	BOLT, M6X 16 PLATED	5	5	5					
8	1	22550-050250	KEY 5X25	1	1	1					
9	1	1N3503-16000	BOLT M8X45	4	4	4					
10	1	22137-080000	WASHER, 8	4	4	4					
11	1	26051-080002	NUT, M8	4	4	4					
12	1	1N1291-22020	GUARD 40,BELT	1	1	1					
13	1	26018-080164	BOLT M 8X 16	2	2	2					
14	1	1N3568-22060	BELT GUIDE A	1	1	1					
15	1	1N3568-22070	BELT GUIDE B	1	1	1					
16	1	1N3568-58140	COVER A,PULLEY	1	1						
17	1	1N3568-58170	COVER B,PULLEY	1	1						
18	1	1N3568-58190	COVER C,PULLEY	1	1						
19	1	1N3568-58200	COVER D,PULLEY	1	1						
20	1	1N3568-58210	COVER E,PULLEY	1	1						
21	1	1N3503-58120	RIVET	8	8	9					
22	1	1N1291-58080	BOLT 6X16 W/P&SW.	4	4	2					
23	1	22217-080000	WASHER, SPRING 8	1	1	1					
24	1	26116-080304	BOLT, M8X 30 PLATED	1	1	1					
25	1	1N1185-42120	WASHER 9X25X3.2	1	1	1					
26	1	1N3568-58250	COVER A,PULLEY							1	
27	1	1N3568-58270	COVER B,PULLEY							1	
28	1	1N3568-58290	COVER C,PULLEY							1	
29	1	1N3568-58300	COVER D,PULLEY							1	

Fig.3. BODY FRAME

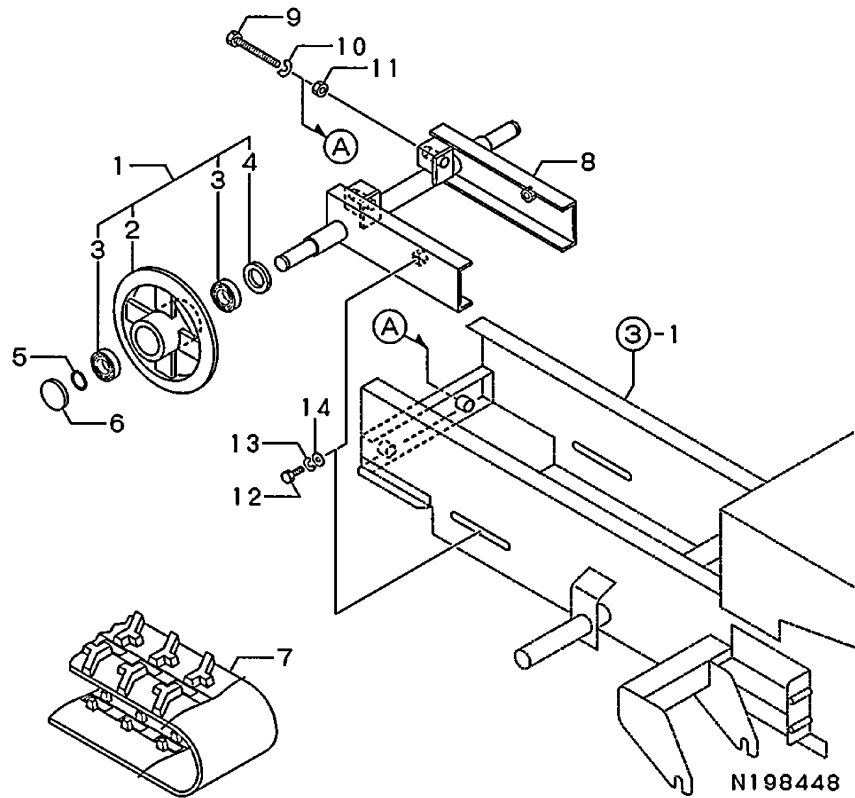


(A)=MCG950D-G
 (B)=MCG950D-S
 (C)=MCG950D-VP

(D)=
 (E)=
 (F)=

No.	Lev.	Parts No.	Description	Qty						I	R
				(A)	(B)	(C)	(D)	(E)	(F)		
1	1	1N3568-31000	FRAME,BODY	1	1	1					
2	1	1N3568-32000	SUB-FRAME G	1		1					
3	1	1N3568-32040	SUB-FRAME S		1						
4	1	1N3521-68630	BOLT M12X 30 11T	8	8	8					
5	1	22137-120000	WASHER, 12	16	16	16					
6	1	26051-120002	NUT, M12	8	8	8					
7	1	1N3568-31180	PIPE,DRAIN	1	1	1					
8	1	26018-080254	BOLT M 8X 25	1	1	1					
9	1	1N3568-58120	COVER,BASE	1	1	1					
10	1	26018-080202	BOLT, M8X 20	20	20	22					
11	1	1N3568-31160	REAR FRAME	1	1						
12	1	1N3568-58030	GUARD L,UNDER	1	1	1					
13	1	1N3568-58000	GUARD R,UNDER	1	1	1					
14	1	1N3568-58050	GUARD	1	1	1					
15	1	26018-100254	BOLT M10X 25	2	2	2					
16	1	1N3568-58060	GUARD,FAN	1	1	1					
17	1	1N3568-58080	GUARD A,FAN	1	1	1					
18	1	1N3503-58120	RIVET	3	3	3					
19	1	1N3568-31210	REAR FRAME							1	
20	1	1N3568-58310	COVER BRACKET							1	

Fig.4. IDLER

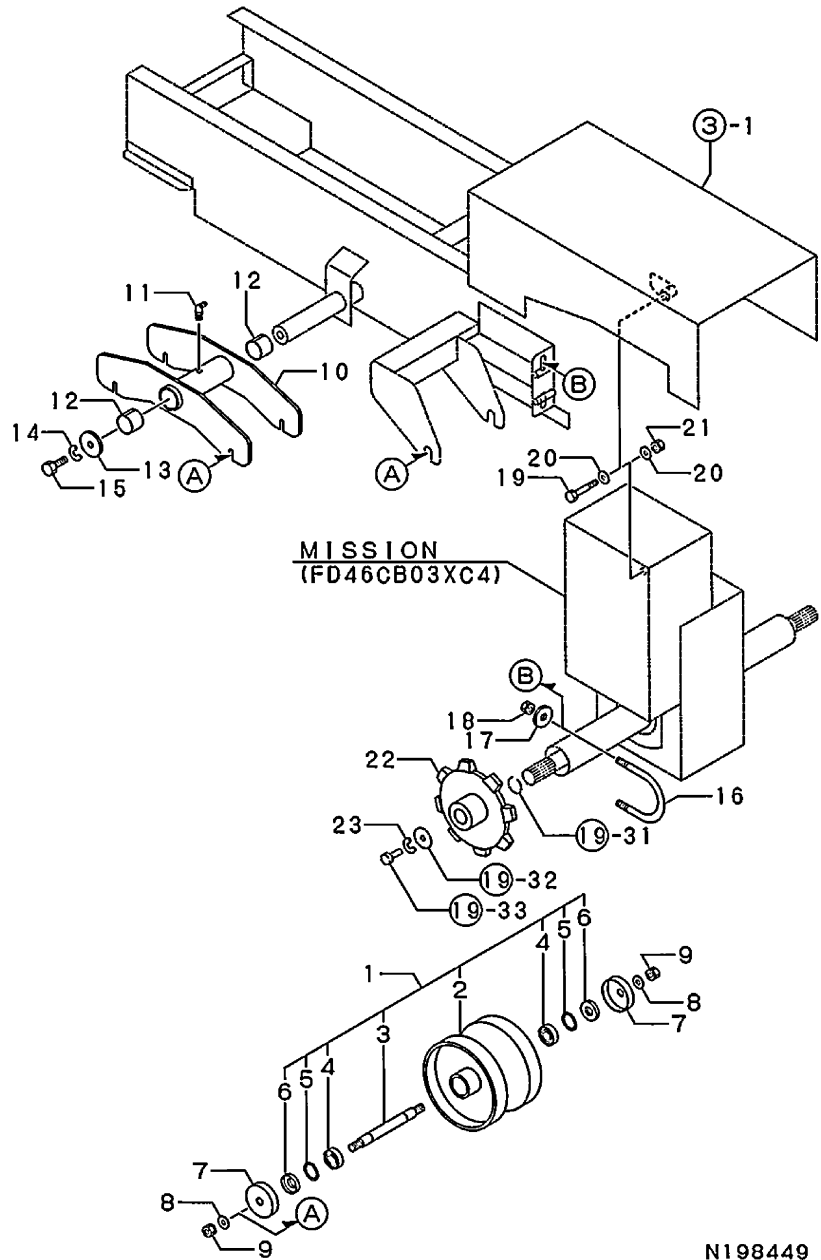


(A)=MCG950D-G
(B)=MCG950D-S
(C)=MCG950D-VP

(D)=
(E)=
(F)=

No.	Lev.	Parts No.	Description	Q'ty						I	R
				(A)	(B)	(C)	(D)	(E)	(F)		
1	1	7N3503-35000	FLOAT RING ASSY.	2	2	2					
2	2	1N3503-35070	WHEEL, IDLE	2	2	2					
3	2	24101-060054	BEARING, BALL 6005	4	4	4					
4	2	24421-304707	SEAL, OIL TC304707	2	2	2					
5	1	22242-000250	RING, 25	2	2	2					
6	1	1N3506-35020	SEAL CAP	2	2	2					
7	1	1N3503-37000	CRAWLAR 180X60X37	2	2	2					
8	1	1N3503-35000	BRACKET, IDLE WHEEL	1	1	1					
9	1	26117-141504	BOLT, M14X150 PLATED	2	2	2					
10	1	22217-140000	WASHER, SPRING 14	2	2	2					
11	1	26757-140002	NUT, LOCK M14	2	2	2					
12	1	26117-120254	BOLT M12X 25 PLATED	2	2	2					
13	1	22217-120000	WASHER, SPRING 12	2	2	2					
14	1	22137-120000	WASHER, 12	2	2	2					

Fig.5. TRACK ROLLER



(A)=MCG950D-G
 (B)=MCG950D-S
 (C)=MCG950D-VP

(D)=
 (E)=
 (F)=

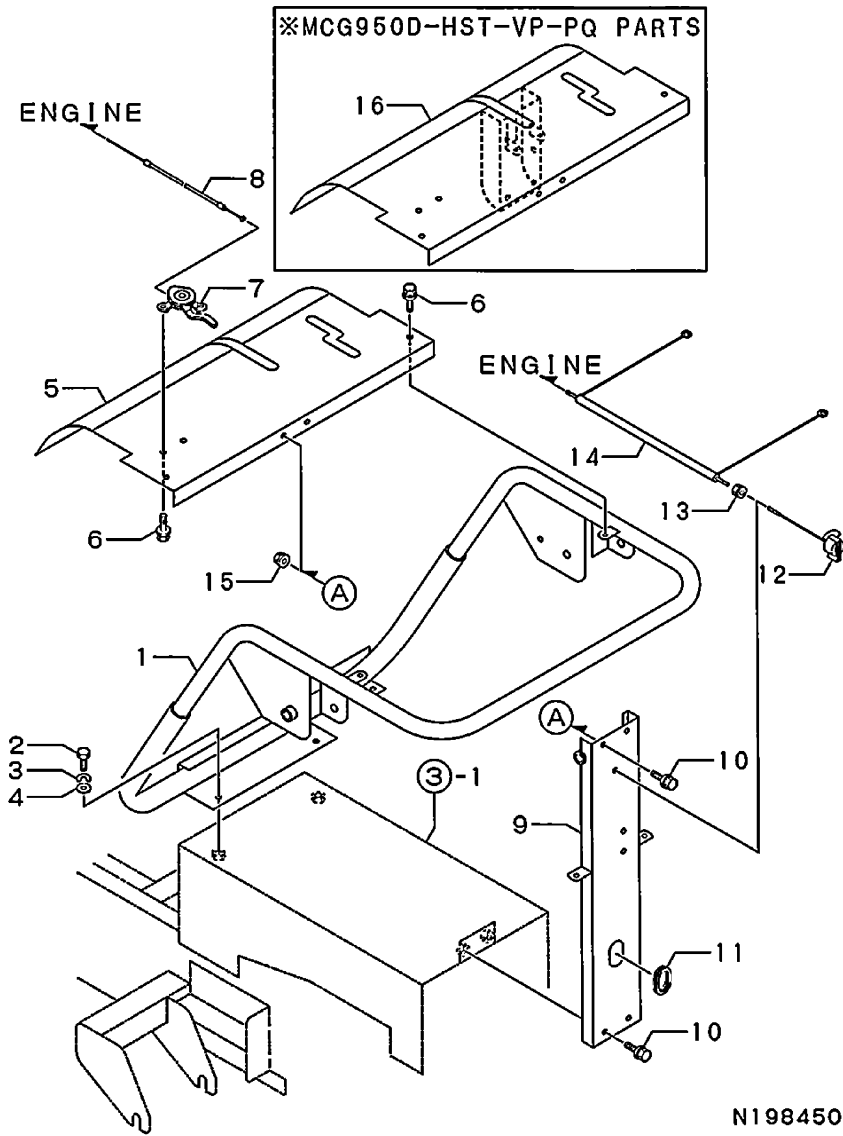
No.	Lev.	Parts No.	Description	Qty						I	R
				(A)	(B)	(C)	(D)	(E)	(F)		
1	1	7N3563-36000	LWR.TRANK ROLLER ASY	6	6	6					
2	2	1N3520-36230	ROLLER,LOWER TRACK	6	6	6					
3	2	1N3563-36010	SHAFT	6	6	6					
4	2	24101-060044	BEARING, BALL 6004	12	12	12					
5	2	22242-000200	RING, 20	12	12	12					
6	2	1N1101-36041	SEAL 204212,OIL	12	12	12					
7	1	1N3520-35020	COVER,OIL SEAL	12	12	12					
8	1	22137-120000	WASHER, 12	12	12	12					
9	1	26051-120002	NUT, M12	12	12	12					
10	1	1N3503-36000	ICORADER	2	2	2					
11	1	1N3505-33040	NIPPLE BMT6X1,GREASE	2	2	2					
12	1	1E1107-62040	LINER	4	4	4					
13	1	1E1102-71190	WASHER	2	2	2					
14	1	22217-120000	WASHER, SPRING 12	2	2	2					
15	1	26117-120254	BOLT M12X 25 PLATED	2	2	2					
16	1	1N3501-35030	U-BOLT	2	2	2					
17	1	1N1286-33100	WASHER 11X30X4.5	4	4	4					
18	1	26052-100002	NUT, M10	4	4	4					
19	1	1N3510-23110	BOLT 10X60 11T	1	1	1					
20	1	22137-100000	WASHER, 10	2	2	2					
21	1	26051-100002	NUT, M10	1	1	1					
22	1	1N3503-35060	SPROCKET	2	2	2					
23	1	22217-080000	WASHER, SPRING 8	2	2	2					

N198449

Fig.6. HANDLE

(A)=MCG950D-G
 (B)=MCG950D-S
 (C)=MCG950D-VP

(D)=
 (E)=
 (F)=



No.	Lev.	Parts No.	Description	Qty						I	R
				(A)	(B)	(C)	(D)	(E)	(F)		
1	1	1N3568-47000	HANDLE	1	1	1					
2	1	26116-100252	BOLT, M10X 25 PLATED	2	2	2					
3	1	22217-100000	WASHER, SPRING 10	2	2	2					
4	1	22137-100000	WASHER, 10	2	2	2					
5	1	1N3568-58090	PANEL,OPERATING	1	1						
6	1	1N3513-69050	BOLT 6X12	6	6	6					
7	1	1N1296-47040	LEVER,THROTTLE	1	1	1					
8	1	1N3568-51030	WIRE,ACCELE	1	1	1					
9	1	1N3568-47110	STAY,HANDLE	1	1	1					
10	1	26018-080202	BOLT, M8X 20	4	4	4					
11	1	1N1121-44000	GROMMET 44	1	1	1					
12	1	1A1470-40900	SWITCH,STOP	1	1	1					
13	1	26051-080002	NUT, M8	1	1	1					
14	1	1N3501-52001	WIRE A,LEAD	1	1	1					
15	1	26367-080002	NUT, M8	2	2	2					
16	1	1N3568-58220	PANEL,OPERATING			1					

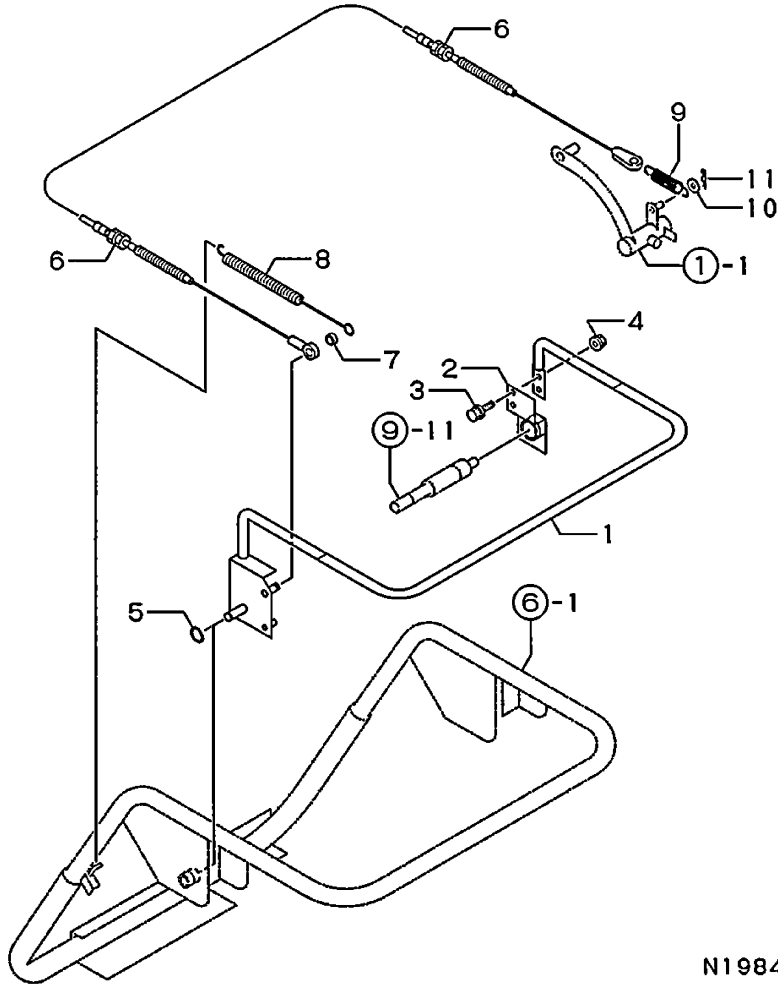
N198450

Fig.7. DEADMAN LEVER

(A)=MCG950D-G
 (B)=MCG950D-S
 (C)=MCG950D-VP

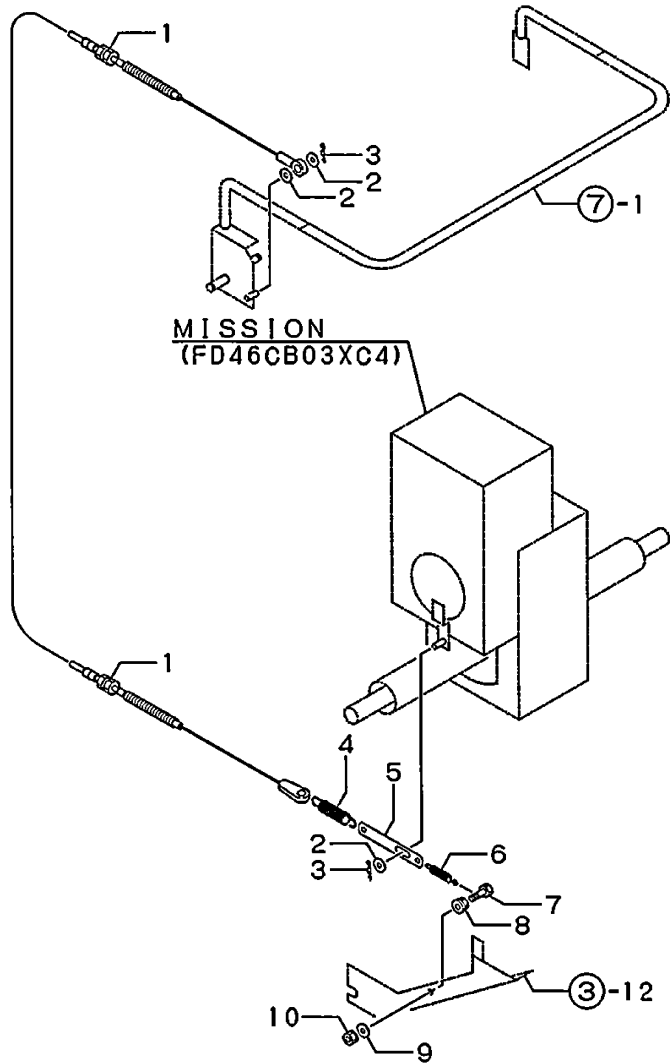
(D)=
 (E)=
 (F)=

No.	Lev.	Parts No.	Description	Qty						I	R
				(A)	(B)	(C)	(D)	(E)	(F)		
1	1	1N3568-41000	LEVER,DEADMAN	1	1	1					
2	1	1N3568-41030	LEVER,DEADMAN	1	1	1					
3	1	26018-060204	BOLT, M6X 20	2	2	2					
4	1	26367-060002	NUT, M6	2	2	2					
5	1	22242-000120	RING, 12	1	1	1					
6	1	1N3568-51010	WIRE,CONTROL	1	1	1					
7	1	1N1995-41040	SPACER	1	1	1					
8	1	1N3503-53020	SPRING	1	1	1					
9	1	1N3503-53010	SPRING	1	1	1					
10	1	22137-080000	WASHER, 8	1	1	1					
11	1	1N3513-42160	PIN	1	1	1					



N198451

Fig.8. BRAKE LEVER



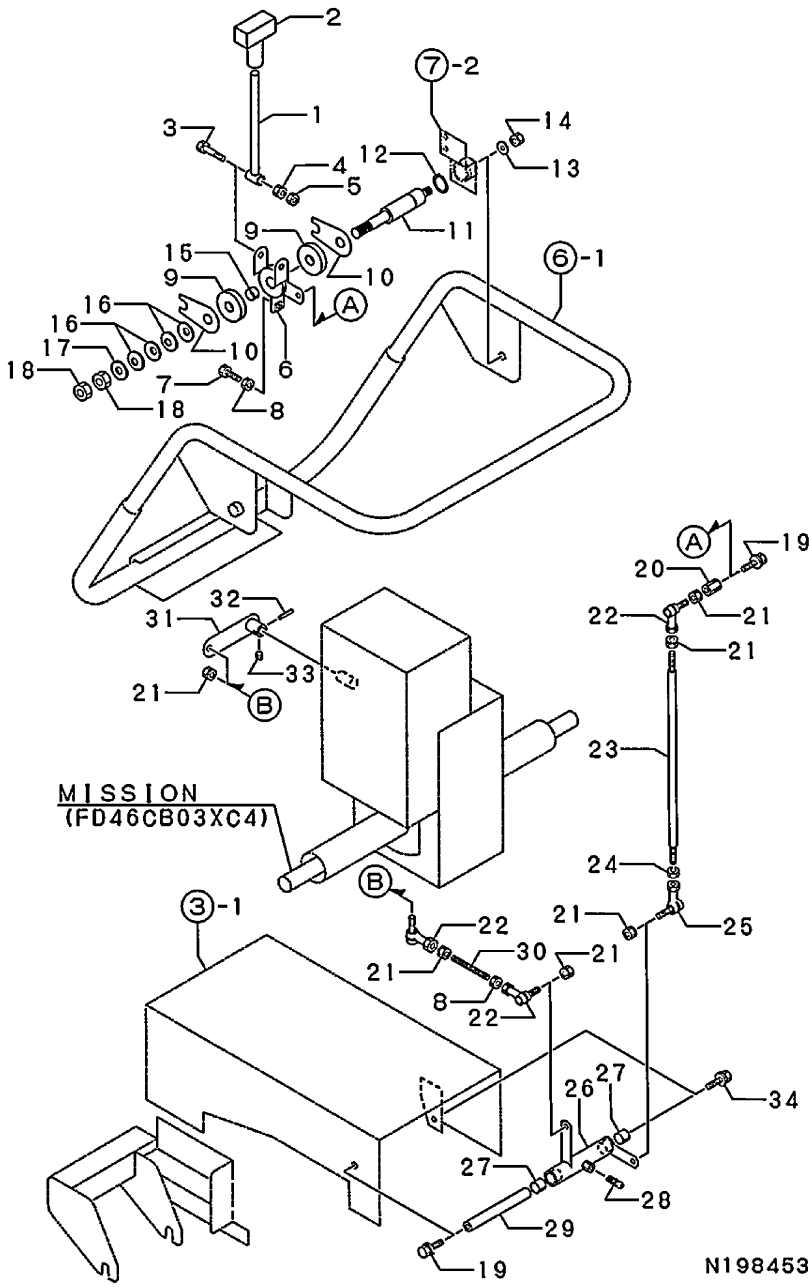
N198452

(A)=MCG950D-G
(B)=MCG950D-S
(C)=MCG950D-VP

(D)=
(E)=
(F)=

No.	Lev.	Parts No.	Description	Q'ty						I	R
				(A)	(B)	(C)	(D)	(E)	(F)		
1	1	1N3568-51020	WIRE,CONTROL	1	1	1					
2	1	22137-080000	WASHER, 8	3	3	3					
3	1	1N3513-42160	PIN	2	2	2					
4	1	1N3503-53000	SPRING	1	1	1					
5	1	1N3568-42000	PLATE,LINK BRAKE	1	1	1					
6	1	1N3568-53000	SPRING 0.8X8X20	1	1	1					
7	1	26116-060302	BOLT, M6X 30 PLATED	1	1	1					
8	1	26367-060002	NUT, M6	1	1	1					
9	1	22137-060000	WASHER, 6	1	1	1					
10	1	26051-060002	NUT, M6	1	1	1					

Fig.9. HST LEVER



(A)=MCG950D-G
 (B)=MCG950D-S
 (C)=MCG950D-VP

(D)=
 (E)=
 (F)=

No.	Lev.	Parts No.	Description	Q'ty						I	R
				(A)	(B)	(C)	(D)	(E)	(F)		
1	1	1N3568-41120	LEVER,HST	1	1	1					
2	1	1E9170-64750	GRIP, LEVER 13	1	1	1					
3	1	26112-100552	BOLT M10X 55	1	1	1					
4	1	26051-100002	NUT, M10	1	1	1					
5	1	26757-100002	NUT, LOCK M10	1	1	1					
6	1	1N3568-41150	LINK A,HST	1	1	1					
7	1	26117-080304	BOLT, M8X 30 PLATED	1	1	1					
8	1	26757-080002	NUT, LOCK M8	2	2	2					
9	1	1N1995-41010	DISC PLATE	2	2	2					
10	1	1N1995-41200	PLATE	2	2	2					
11	1	1N3568-41220	SHAFT,HST	1	1	1					
12	1	22242-000250	RING, 25	1	1	1					
13	1	22137-120000	WASHER, 12	1	1	1					
14	1	26051-120002	NUT, M12	1	1	1					
15	1	1N3510-61190	LINER	1	1	1					
16	1	1N1211-47180	WASHER 16,SPRING	4	4	4					
17	1	22137-160000	WASHER, 16	1	1	1					
18	1	26757-160002	NUT, LOCK M16	2	2	2					
19	1	26018-080202	BOLT, M8X 20	2	2	2					
20	1	1N3506-41190	NUT M8X30 PLATED	1	1	1					
21	1	26051-080002	NUT, M8	6	6	6					
22	1	1N3568-41270	LINK BALL BL8D	3	3	3					
23	1	1N1996-41130	ROD,(415)	1	1	1					
24	1	1N3506-41100	M8X6.5 LOCKNUT LEFT-	1	1	1					
25	1	1N3506-41180	LINK BALL L	1	1	1					
26	1	1N3568-41180	LINK,HST	1	1	1					
27	1	1N3510-61010	LINER,R-ML1615,M	2	2	2					
28	1	24761-060000	NIPPLE, GREASE MT6X1	1	1	1					
29	1	1N3568-41210	SHAFT,LINK,HST	1	1	1					
30	1	1N1991-34130	SCREW,ADJUST	1	1	1					
31	1	1N3568-41160	LEVER,MISSION HST	1	1	1					
32	1	22351-050025	PIN, SPRING 5.0X25	1	1	1					
33	1	26979-060062	SCREW, M6X 6	1	1	1					
34	1	26018-080254	BOLT M 8X 25	1	1	1					

Fig.10. SIDE CLUTCH LEVER

(A)=MCG950D-G
 (B)=MCG950D-S
 (C)=MCG950D-VP

(D)=
 (E)=
 (F)=

No.	Lev.	Parts No.	Description	Q'ty						I	R
				(A)	(B)	(C)	(D)	(E)	(F)		
1	1	1N3568-41060	LEVER,SIDE CLUTCH,L	1	1	1					
2	1	1N3568-41100	LEVER,SIDE CLUTCH,R	1	1	1					
3	1	1N1995-41440	BUSH	4	4	4					
4	1	24761-060000	NIPPLE, GREASE MT6X1	2	2	2					
5	1	1N3568-41240	SHAFT,SIDE CLUTCH	2	2	2					
6	1	1N3513-69050	BOLT 6X12	2	2	2					
7	1	1N3568-51000	WIRE,CONTROL	2	2	2					
8	1	22137-080000	WASHER, 8	2	2	2					
9	1	1N3513-42160	PIN	2	2	2					
10	1	22137-060000	WASHER, 6	2	2	2					
11	1	22361-060000	SNAP PIN 6	2	2	2					

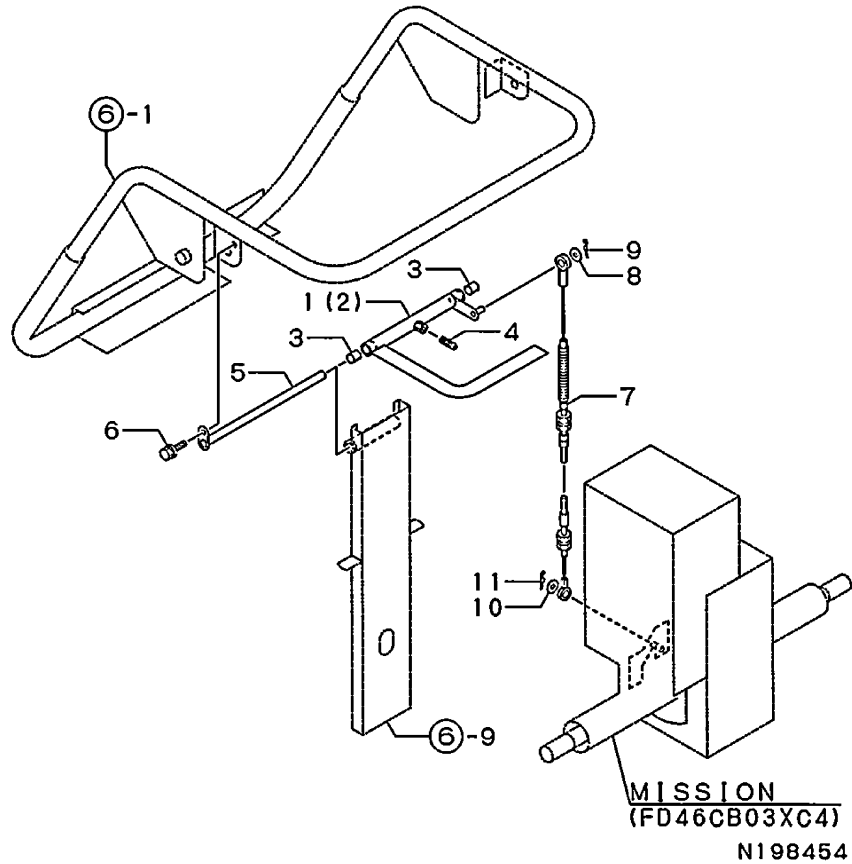
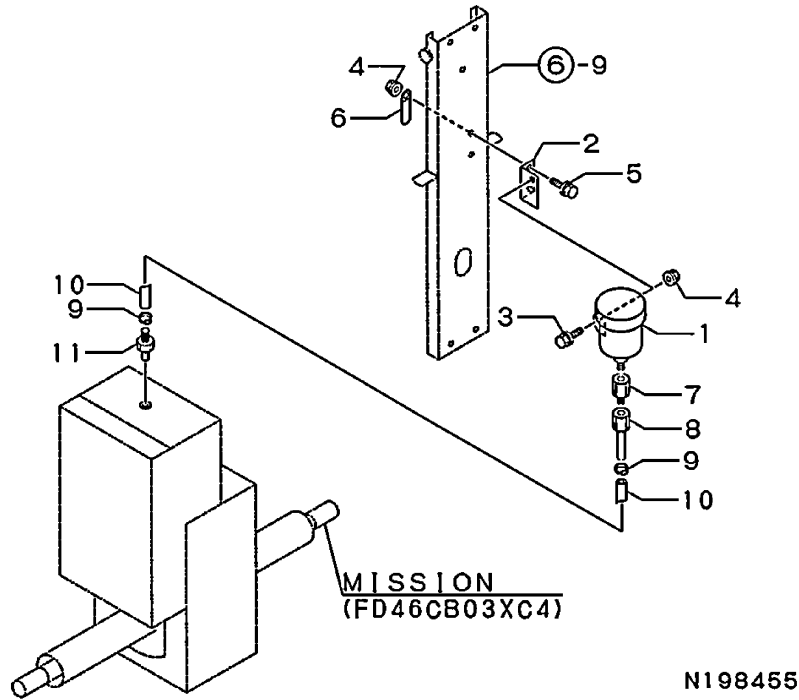


Fig.11. HST TANK

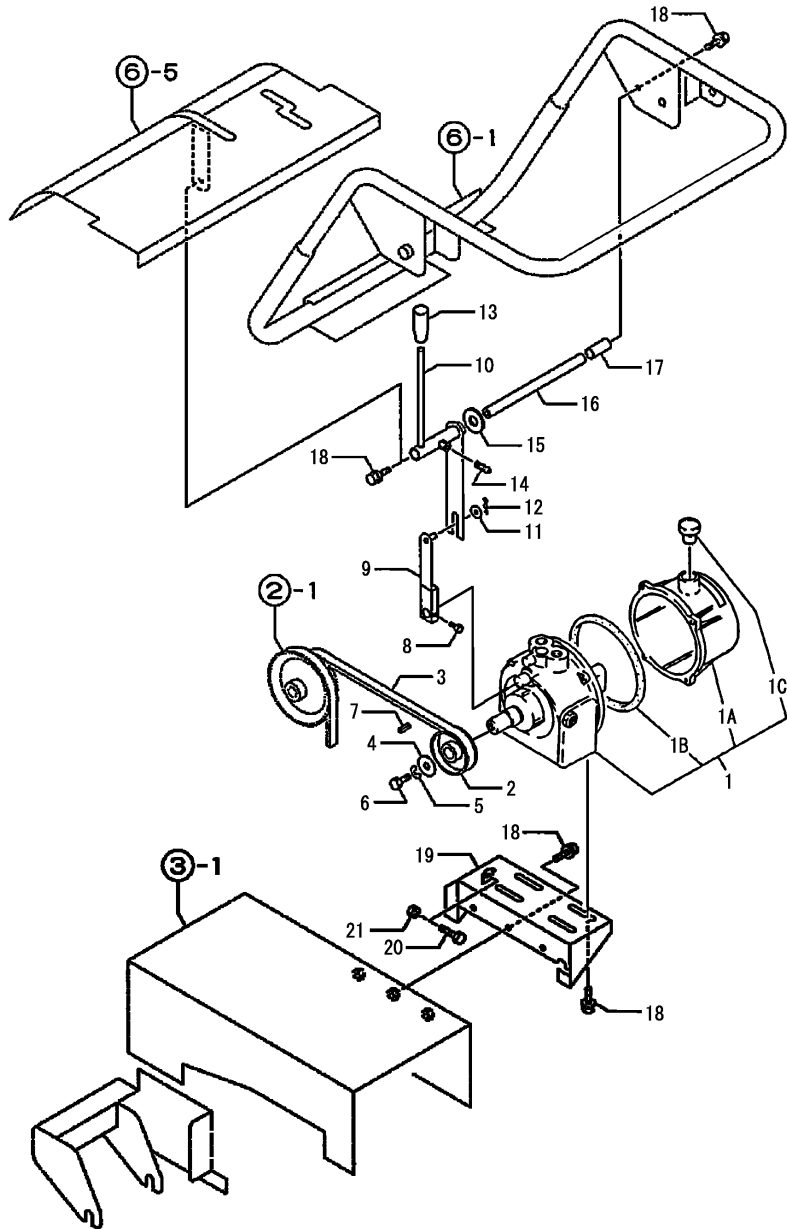


(A)=MCG950D-G
 (B)=MCG950D-S
 (C)=MCG950D-VP

(D)=
 (E)=
 (F)=

No.	Lev.	Parts No.	Description	Q'ty						I	R
				(A)	(B)	(C)	(D)	(E)	(F)		
1	1	HN0001-61010	TANK ASSY	1	1	1					
2	1	1N3568-47150	STAY,TANKU	1	1	1					
3	1	26018-060204	BOLT, M6X 20	1	1	1					
4	1	26367-060002	NUT, M6	3	3	3					
5	1	1N1291-58080	BOLT 6X16 W/P&SW.	2	2	2					
6	1	1E6020-83890	CLIP	1	1	1					
7	1	HN0001-61030	ELBOW,O-RING	1	1	1					
8	1	1N1996-61030	NIPPLE,	1	1	1					
9	1	1N1995-61130	HOSE BAND	2	2	2					
10	1	1N3568-62000	HOSE 16X350	1	1	1					
11	1	1N1996-61000	NIPPLE,HOSE	1	1	1					

Fig.12. HYDRAULIC PUMP (G,S TYPE)

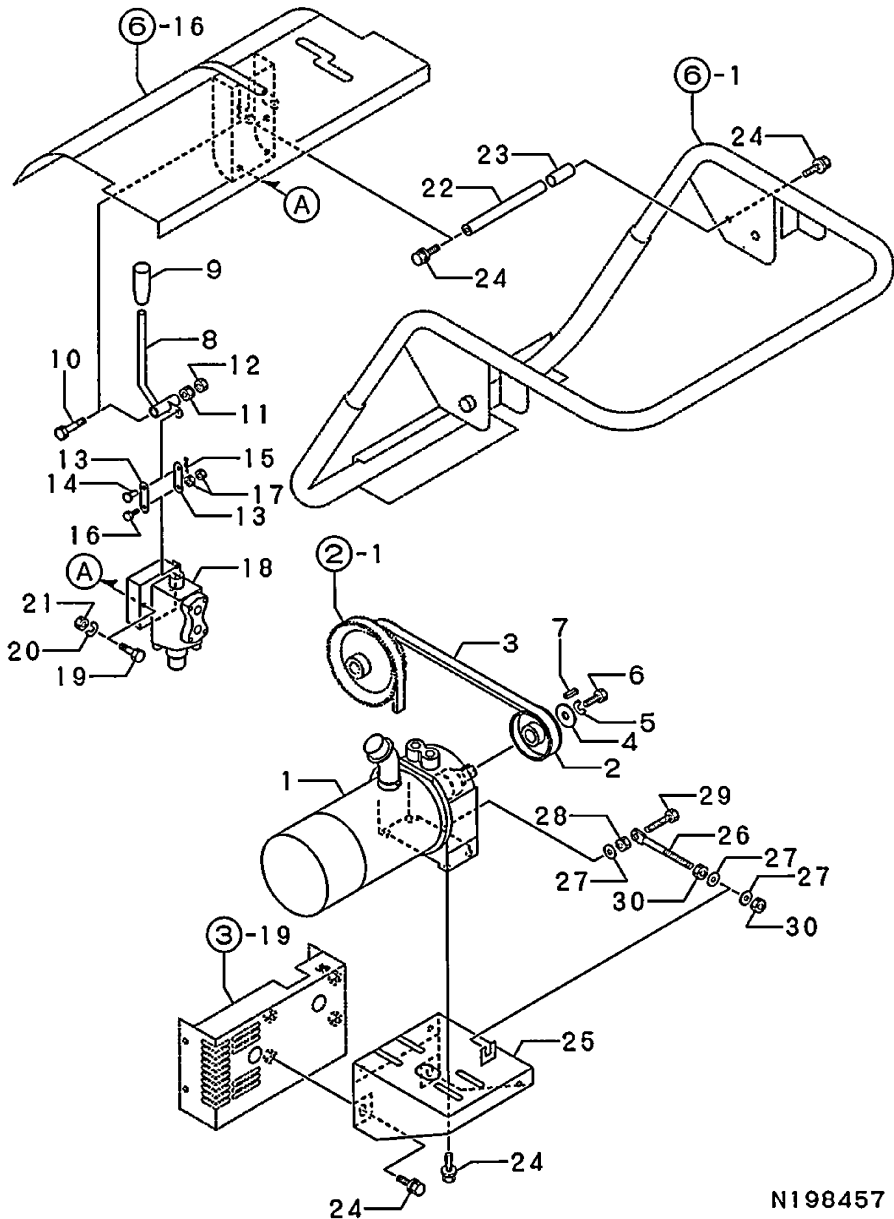


(A)=MCG950D-G
 (B)=MCG950D-S
 (C)=MCG950D-VP

(D)=
 (E)=
 (F)=

No.	Lev.	Parts No.	Description	Q'ty						I	R
				(A)	(B)	(C)	(D)	(E)	(F)		
1	1	7N1277-61000	HYDRAULIC PUMP PPH1.	1	1						
1A	2	1N1277-61020	TANK, HYDRAULIC PUMP	1	1						
1B	2	24321-001200	O-RING, 1AG120.0	1	1						
1C	2	1N1277-61031	CAP, BREATHER	1	1						
2	1	1N3505-21020	PULLEY B3.0X1, PKG.	1	1						
3	1	25123-002301	V-BELT, B23H	1	1						
4	1	1N1210-16060	WASHER 11X35, RUBBER	1	1						
5	1	22217-100000	WASHER, SPRING 10	1	1						
6	1	26117-100164	BOLT M10X 16 PLATED	1	1						
7	1	22550-050180	KEY, 5X 18	1	1						
8	1	1N1285-61000	BOLT M5X10, HSH.	1	1						
9	1	1N3568-45040	LEVER, PUMP	1	1						
10	1	1N3568-45000	LEVER, DUMP	1	1						
11	1	22137-080000	WASHER, 8	1	1						
12	1	1N3513-42160	PIN	1	1						
13	1	1N1101-44020	GRIP 10, BRAKE	1	1						
14	1	24761-060000	NIPPLE, GREASE MT6X1	1	1						
15	1	22137-160000	WASHER, 16	1	1						
16	1	1N3568-45060	SHAFT, LEVER, DUMP	1	1						
17	1	1N3568-45070	HOSE, VINYL	1	1						
18	1	26018-080202	BOLT, M8X 20	9	9						
19	1	1N3568-61050	PLATFORM, PACKAGE	1	1						
20	1	1N1996-36180	BOLT 8X60 (7T)	1	1						
21	1	26757-080002	NUT, LOCK M8	1	1						

Fig.13. HYDRAULIC PUMP (VP TYPE)



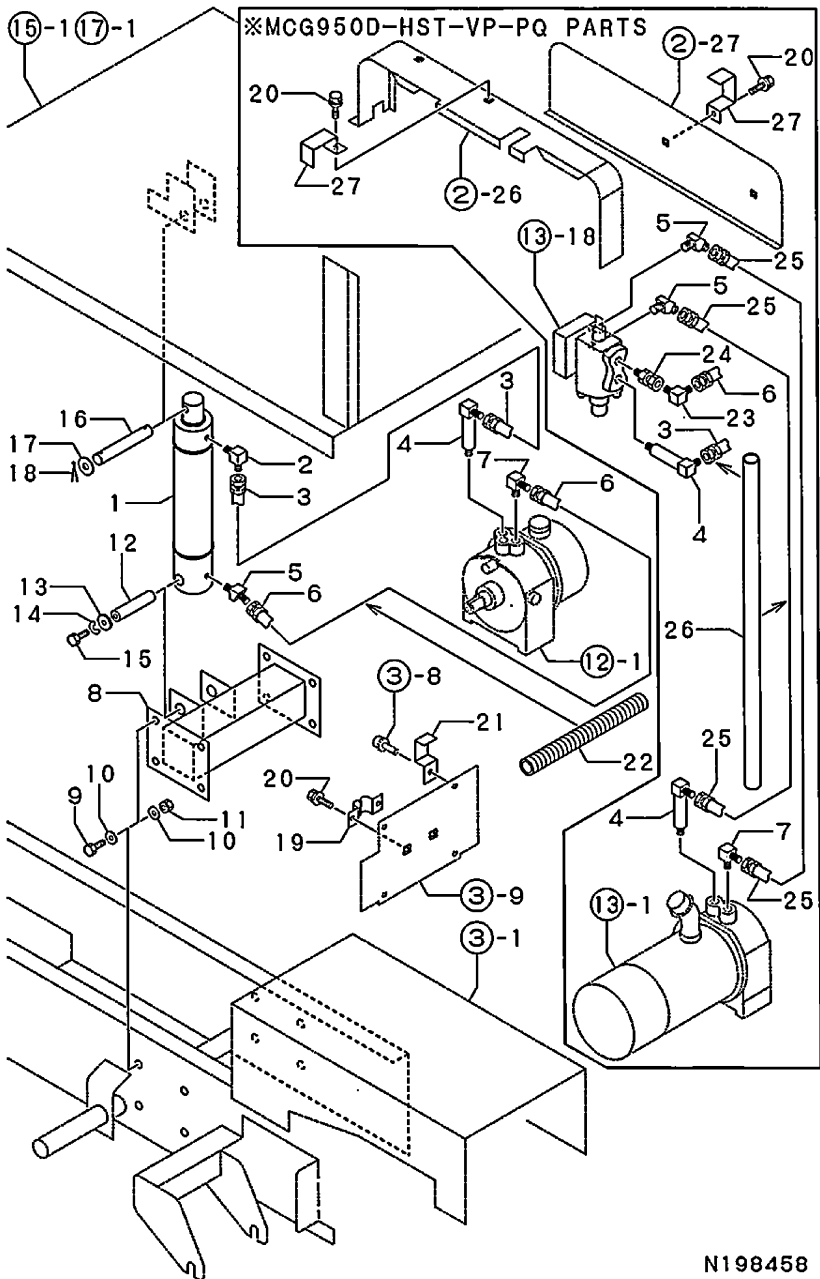
N198457

(A)=MCG950D-G
(B)=MCG950D-S
(C)=MCG950D-VP

(D)=
(E)=
(F)=

No.	Lev.	Parts No.	Description	Qty						I	R
				(A)	(B)	(C)	(D)	(E)	(F)		
1	1	7N1996-61001	HYDRAULIC PACKAGE			1					
2	1	1N3505-21020	PULLEY B3.0X1,PKG.			1					
3	1	25123-004201	V-BELT, B42H			1					
4	1	1N1210-16060	WASHER 11X35,RUBBER			1					
5	1	22217-100000	WASHER, SPRING 10			1					
6	1	26117-100164	BOLT M10X 16 PLATED			1					
7	1	22550-050180	KEY, 5X 18			1					
8	1	1N3568-46000	LEVER,DUMP			1					
9	1	1N1101-44020	GRIP 10,BRAKE			1					
10	1	1N3520-32720	BOLT 10X 75 11T			1					
11	1	26051-100002	NUT, M10			1					
12	1	26757-100002	NUT, LOCK M10			1					
13	1	1N3568-46030	PLATE,LINK,LEVERDUMP			2					
14	1	1N1215-51000	PIN 6X16,RIVET			1					
15	1	22361-060000	SNAP PIN 6			1					
16	1	26117-050204	BOLT M 5X 20 PLATED			1					
17	1	26717-050002	NUT, M5			2					
18	1	7N1995-61010	VALVE			1					
19	1	26116-060352	BOLT, M6X 35 PLATED			2					
20	1	22217-060000	WASHER, SPRING 6			2					
21	1	26717-060002	NUT, M6			2					
22	1	1N3568-46040	SHAFT,LEVER,DUMP			1					
23	1	1N3568-45070	HOSE,VINYL			1					
24	1	26018-080202	BOLT, M8X 20			10					
25	1	1N3568-62020	PLATFORM,PACKAGE			1					
26	1	1N1360-22090	SCREW 8X94,ADJUST			1					
27	1	22137-080000	WASHER, 8			3					
28	1	26051-080002	NUT, M8			1					
29	1	26117-080504	BOLT M 8X 50 PLATED			1					
30	1	26757-080002	NUT, LOCK M8			2					

Fig.14. HYDRAULIC CYLINDER



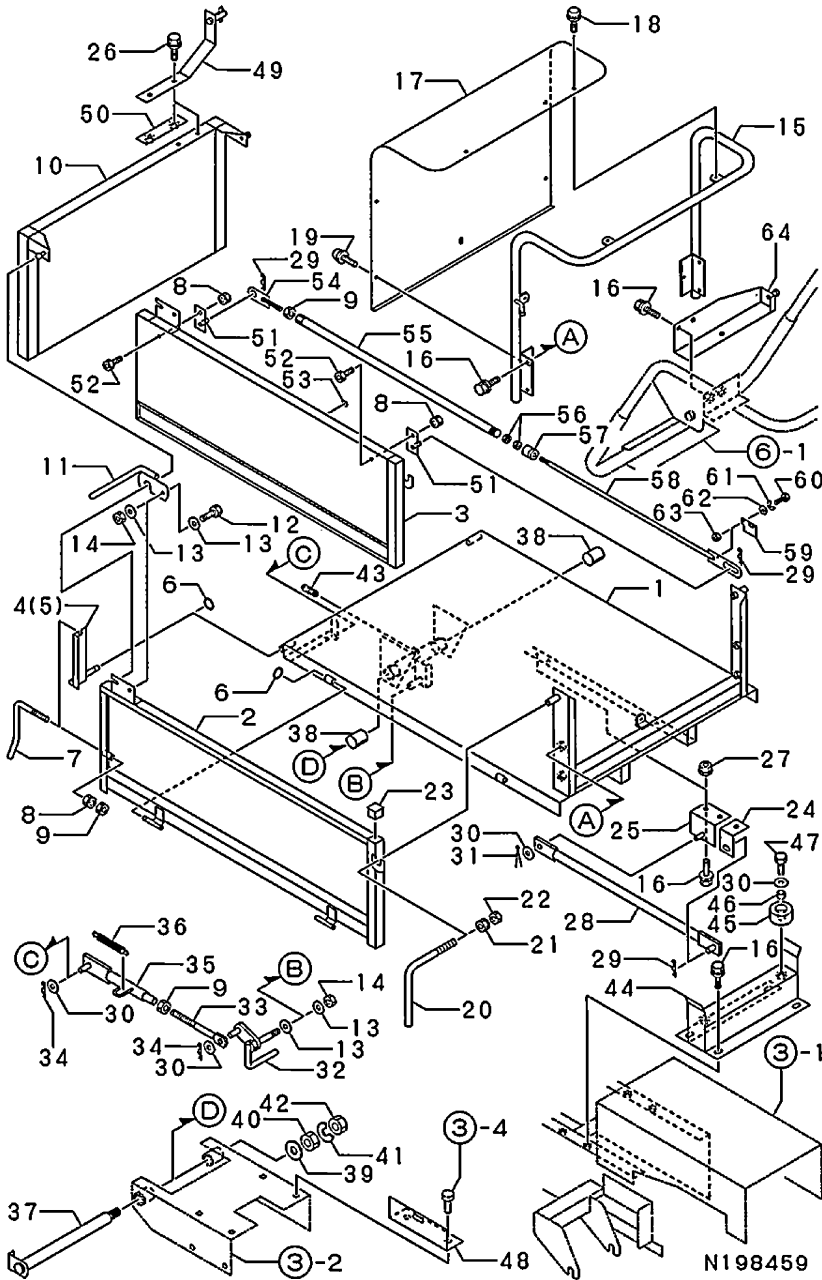
N198458

(A)=MCG950D-G
(B)=MCG950D-S
(C)=MCG950D-VP

(D)=
(E)=
(F)=

No.	Lev.	Parts No.	Description	Qty						I	R
				(A)	(B)	(C)	(D)	(E)	(F)		
1	1	1N1995-61000	CYLINDER	1	1	1					
2	1	1N1286-61130	ELBOW	1	1	1					
3	1	1N3568-61130	HOSE, HYDRAULIC	1	1	1					
4	1	1N3512-61040	ELBOW, LONG	1	1	2					
5	1	1E1101-61040	ELBOW 4	1	1	3					
6	1	1N3568-61120	HOSE, HYDRAULIC	1	1	1					
7	1	1N1090-61030	ELBOW	1	1	1					
8	1	1N3568-61000	BRACKET, CYLINDER	1	1	1					
9	1	1E1107-61280	BOLT M12X 35 11T	8	8	8					
10	1	22137-120000	WASHER, 12	16	16	16					
11	1	26051-120002	NUT, M12	8	8	8					
12	1	1N3568-61100	SHAFT, CYLINDER	1	1	1					
13	1	1N1185-42120	WASHER 9X25X3.2	2	2	2					
14	1	22217-080000	WASHER, SPRING 8	2	2	2					
15	1	26117-080164	BOLT M 8X 16 PLATED	2	2	2					
16	1	1N1384-61020	PIN, CYLINDER	1	1	1					
17	1	22137-180000	WASHER, 18	2	2	2					
18	1	22417-400400	PIN, COTTER 4.0X40	2	2	2					
19	1	1N1526-61040	HOSE BAND	1	1						
20	1	1N1291-58080	BOLT 6X16 W/P&SW.	2	2	4					
21	1	1N3568-61110	STAY, HOSE	1	1	1					
22	1	1N3568-62010	TUBE, CORRUGATED	1	1	1					
23	1	1N3516-45210	ELBOW			1					
24	1	1E1107-61260	ADAPTER			1					
25	1	1N3568-61150	HOSE, HYDRAULIC			2					
26	1	1N3568-62060	HOSE, VINYL			4					
27	1	1N3568-62050	HOSE BAND			4					

Fig.15. PLATFORM CARRIER (G TYPE)

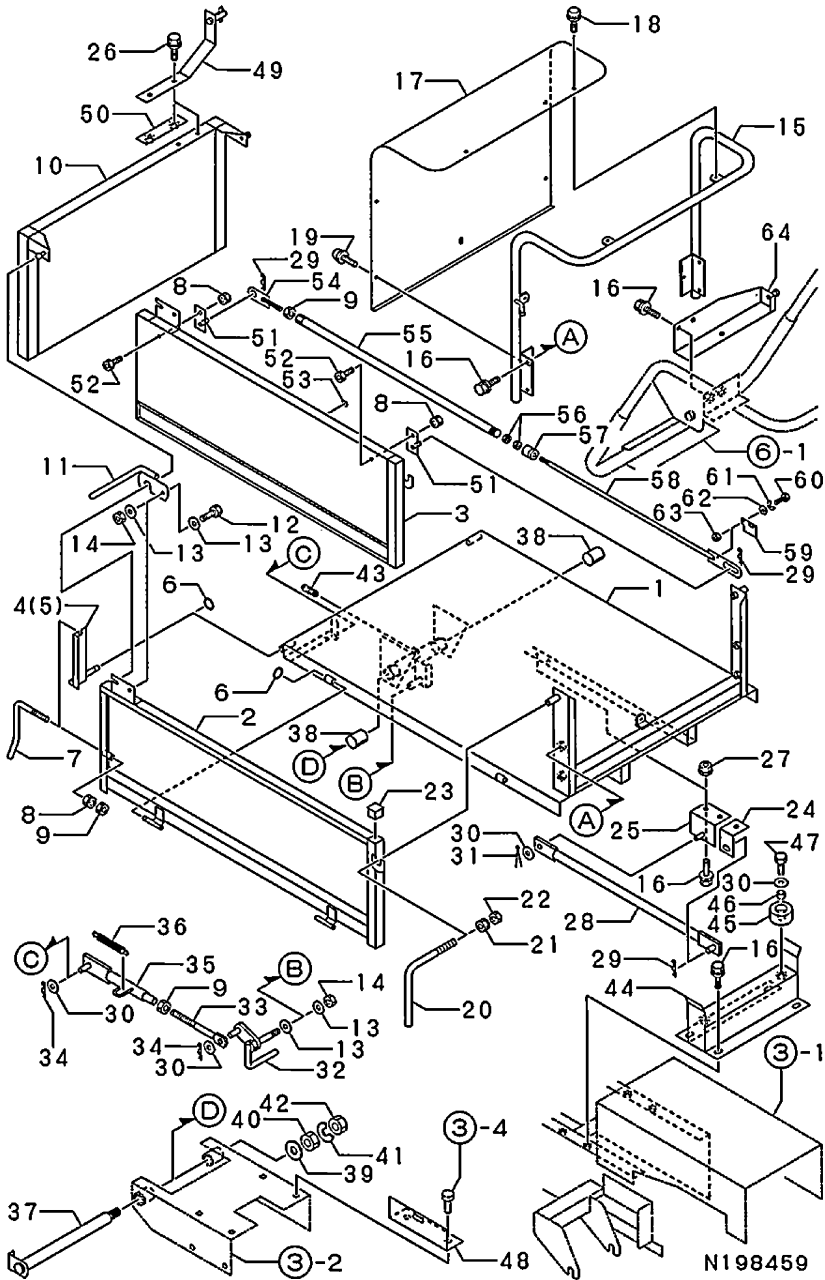


(A)=MCG950D-G
(B)=MCG950D-S
(C)=MCG950D-VP

(D)=
(E)=
(F)=

No.	Lev.	Parts No.	Description	Qty						I	R
				(A)	(B)	(C)	(D)	(E)	(F)		
1	1	1N3568-64200	CARRIER G,PLATFORM	1							
2	1	1N3568-65110	SIDE PLATE L	1							
3	1	1N3568-65180	SIDE PLATE R	1							
4	1	1N3503-64930	FIXTURE L,SIDE PLATE	1							
5	1	1N3503-64920	FIXTURE R,SIDE PLATE	1							
6	1	22272-000070	RING, E- 7	4							
7	1	1N3542-65050	HANDLE,SET	2							
8	1	26051-080002	NUT, M8	4							
9	1	26757-080002	NUT, LOCK M8	4							
10	1	1N3568-66070	FRONT PLATE	1							
11	1	1N1540-66240	LEVER,LOCK	2							
12	1	26117-100254	BOLT, M10X 25 PLATED	2							
13	1	22137-100000	WASHER, 10	6							
14	1	26347-100002	NUT, M10	3							
15	1	1N3568-66130	PIPE,PLATE,BACK	1							
16	1	26018-080202	BOLT, M8X 20	14							
17	1	1N3568-66150	PLATE,BACK	1							
18	1	1N3503-66220	SCREW 6X12	5							
19	1	1N3503-66230	SCREW 6X12	2							
20	1	1N3501-65000	HANDLE 90X95,SET	2							
21	1	26051-100002	NUT, M10	2							
22	1	26757-100002	NUT, LOCK M10	2							
23	1	1N1520-53020	PLUG 25J,SQUARE OIL	2							
24	1	1N3568-64320	STAY B,FALL PREVENT	1							
25	1	1N3568-64330	STAY C,FALL PREVENT	1							
26	1	26018-080254	BOLT M 8X 25	2							
27	1	26367-080002	NUT, M8	3							
28	1	1N3504-64000	BAR, BODY SUPPORT	1							
29	1	22360-080000	SNAP PIN 8	3							
30	1	22137-080000	WASHER, 8	5							
31	1	22417-250200	PIN, COTTER 2.5X20	1							
32	1	1N3503-64970	LINK, LOCK	1							
33	1	1N1360-22090	SCREW 8X94,ADJUST	1							
34	1	1N3513-42160	PIN	2							
35	1	1N3503-64900	ROD A, LOCK	1							
36	1	1N1190-45000	SPRING 11X72.5,TENS.	1							
37	1	1N3568-64140	SHAFT G,DUMP	1							
38	1	1N1415-68300	LINER ML2225,M	2							
39	1	22137-160000	WASHER, 16	1							
40	1	26717-160002	NUT, M16	1							
41	1	22217-160000	WASHER, SPRING 16	1							
42	1	26757-160002	NUT, LOCK M16	1							
43	1	24761-060000	NIPPLE, GREASE MT6X1	1							
44	1	1N3568-64170	CARRIER	1							
45	1	1N3503-44000	RUBBER,STOPPER	2							
46	1	1N3503-64420	COLLAR 8.8X12X8	2							
47	1	26117-080204	BOLT M 8X 20 PLATED	2							
48	1	1N3568-64310	STAY A,FALL PREVENT	1							
49	1	1N3568-66160	CLIP A	1							
50	1	1N3568-66310	CLIP D	1							
51	1	1N3568-66330	CLIP	2							

Fig.15. PLATFORM CARRIER (G TYPE)



(A)=MCG950D-G
 (B)=MCG950D-S
 (C)=MCG950D-VP

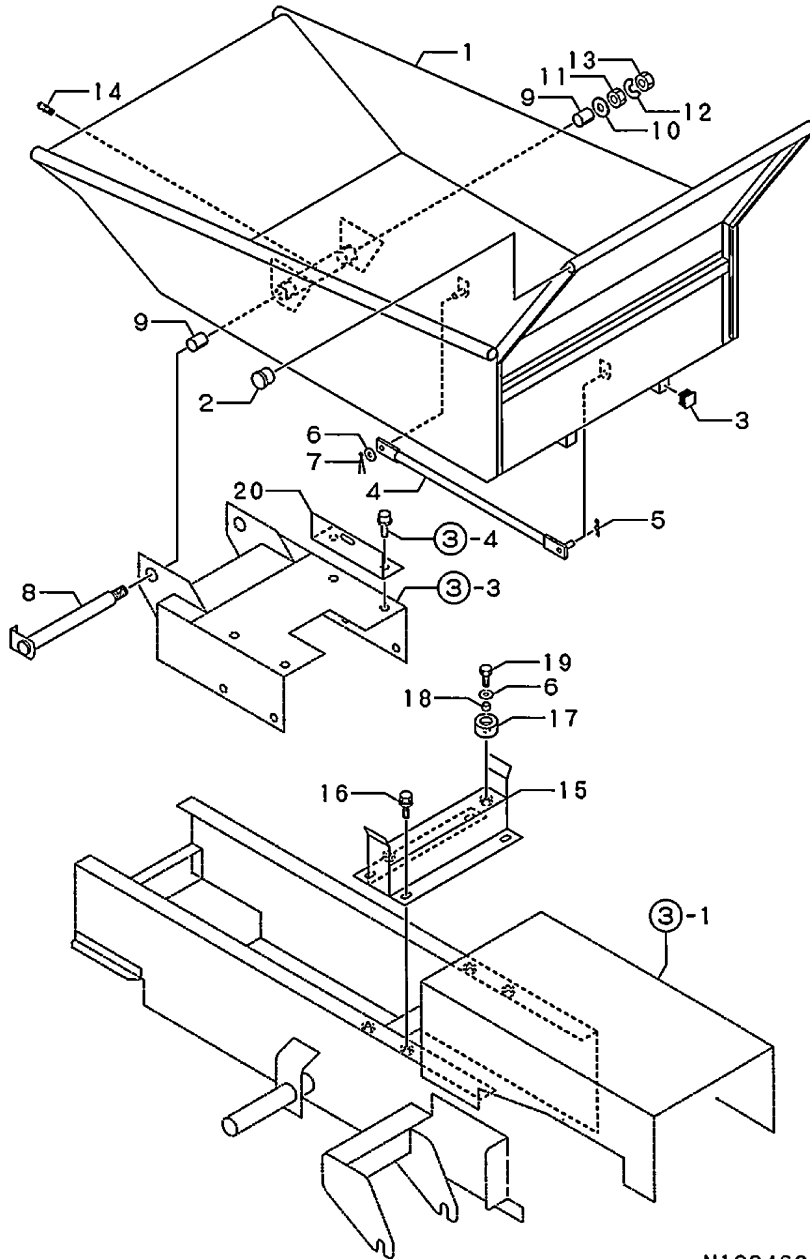
(D)=
 (E)=
 (F)=

No.	Lev.	Parts No.	Description	Qty						I	R
				(A)	(B)	(C)	(D)	(E)	(F)		
52	1	1N3568-66360	BOLT 8X16,HSH	2							
53	1	1N3510-54760	RUBBER,CONTACT	1							
54	1	1N3568-66280	ROD C	1							
55	1	1N3568-66220	ROD A	1							
56	1	26347-060002	NUT, M6	2							
57	1	1N3568-66240	NUT,ROD	1							
58	1	1N3568-66250	ROD B	1							
59	1	1N3568-66300	PLATE,LOCK	1							
60	1	1N3680-58460	SCREW 5X14	1							
61	1	22217-050000	WASHER, SPRING 5	1							
62	1	22137-050000	WASHER, 5	1							
63	1	26717-050002	NUT, M5	1							
64	1	1N3568-66190	CLIP B	1							

Fig.16. PLATFORM CARRIER (S TYPE)

(A)=MCG950D-G
 (B)=MCG950D-S
 (C)=MCG950D-VP

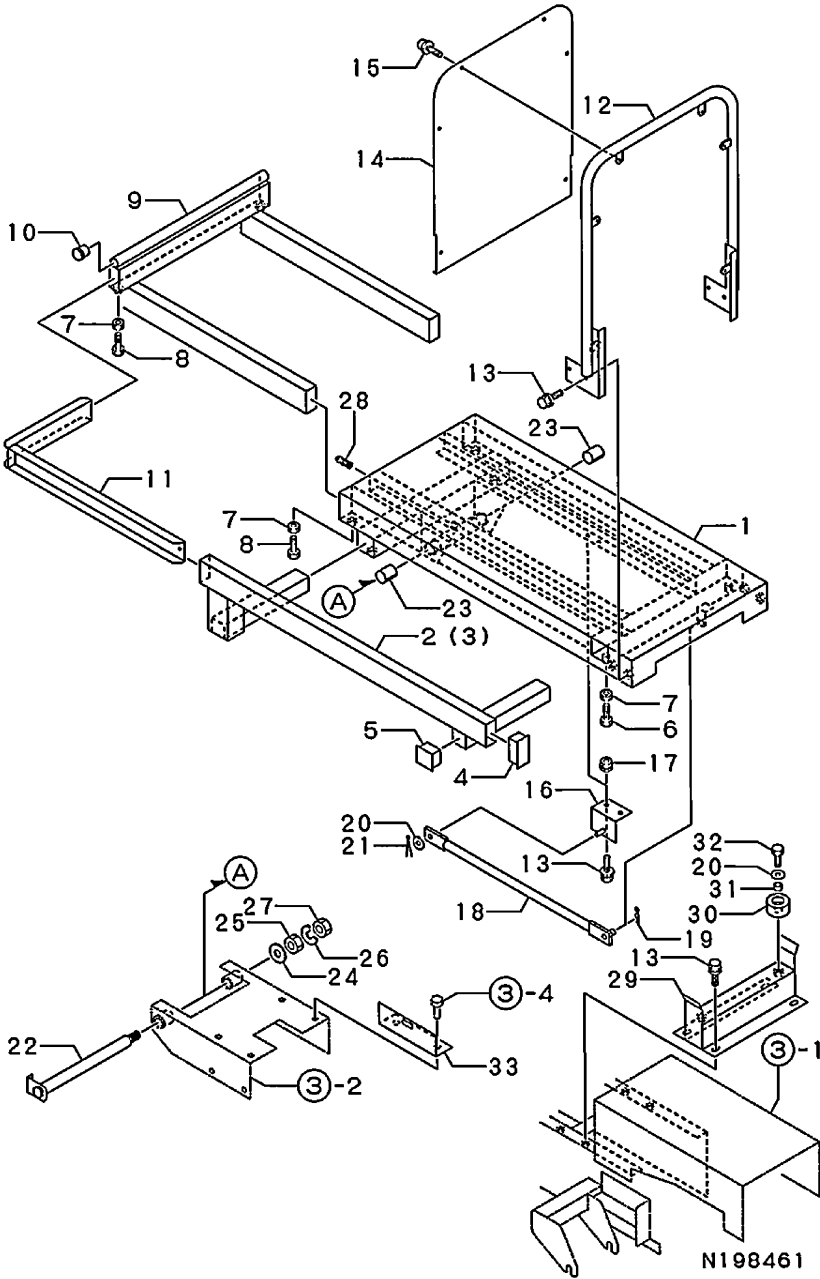
(D)=
 (E)=
 (F)=



N198460

No.	Lev.	Parts No.	Description	Q'ty						I	R
				(A)	(B)	(C)	(D)	(E)	(F)		
1	1	1N3568-64350	CARRIER S,PLATFORM		1						
2	1	1N1222-58380	PLUG		6						
3	1	1N3503-52040	CAP		4						
4	1	1N3504-64000	BAR, BODY SUPPORT		1						
5	1	22360-080000	SNAP PIN 8		1						
6	1	22137-080000	WASHER, 8		3						
7	1	22417-250200	PIN, COTTER 2.5X20		1						
8	1	1N3568-64420	SHAFT S,DUMP		1						
9	1	1N1415-68300	LINER ML2225,M		2						
10	1	22137-160000	WASHER, 16		1						
11	1	26717-160002	NUT, M16		1						
12	1	22217-160000	WASHER, SPRING 16		1						
13	1	26757-160002	NUT, LOCK M16		1						
14	1	24761-060000	NIPPLE, GREASE MT6X1		1						
15	1	1N3568-64170	CARRIER		1						
16	1	26018-080202	BOLT, M8X 20		4						
17	1	1N3503-44000	RUBBER,STOPPER		2						
18	1	1N3503-64420	COLLAR 8.8X12X8		2						
19	1	26117-080204	BOLT M 8X 20 PLATED		2						
20	1	1N3568-64310	STAY A,FALL PREVENT		1						

Fig.17. PLATFORM CARRIER (VP TYPE)



(A)=MCG950D-G
 (B)=MCG950D-S
 (C)=MCG950D-VP

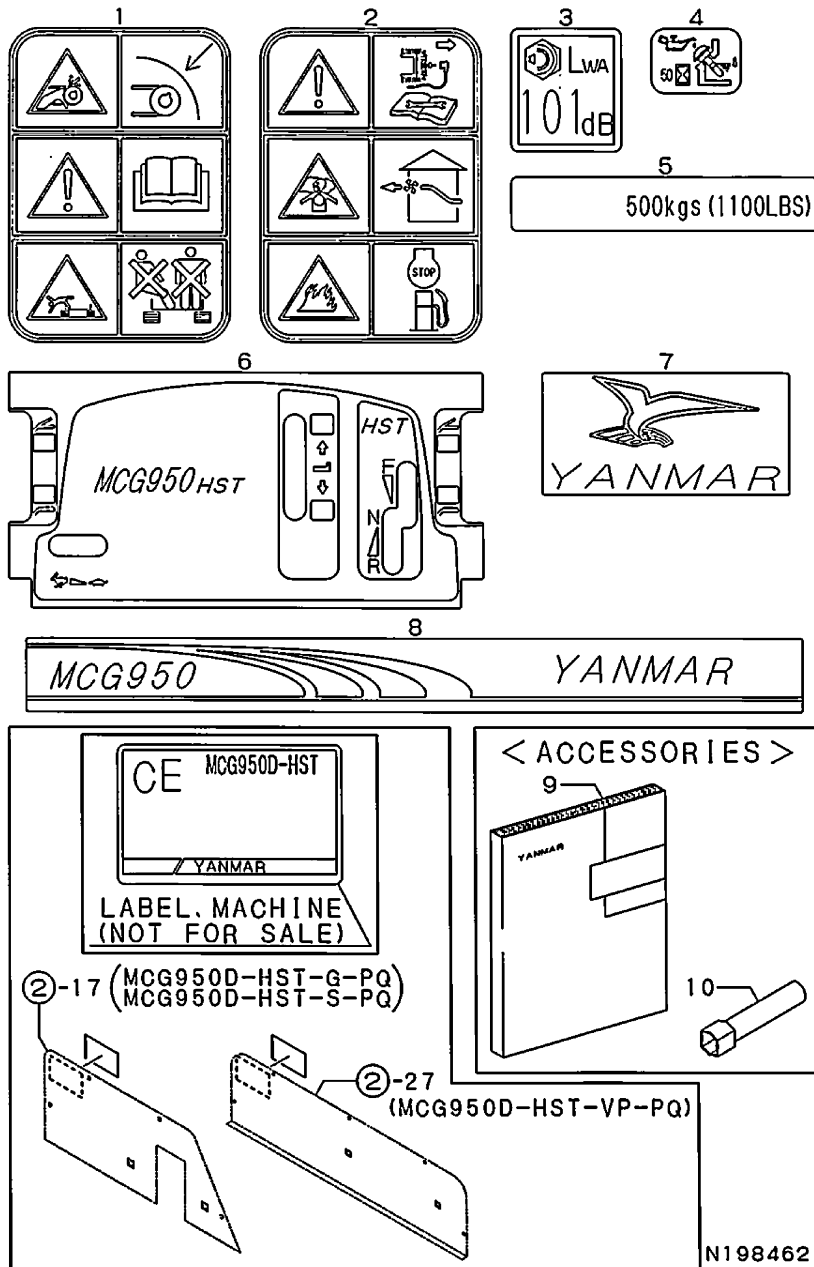
(D)=
 (E)=
 (F)=

No.	Lev.	Parts No.	Description	Qty						I	R
				(A)	(B)	(C)	(D)	(E)	(F)		
1	1	1N3568-64000	CARRIER G, PLATFORM			1					
2	1	1N3568-65000	SIDE PLATE L			1					
3	1	1N3568-65040	SIDE PLATE R			1					
4	1	1N3544-31360	STRUT J6030, SQUARE			4					
5	1	1N3568-65090	STRUT J40, SQUARE			2					
6	1	26117-100404	BOLT, M10X 40 PLATED			2					
7	1	26757-100002	NUT, LOCK M10			8					
8	1	26117-100304	BOLT M10X 30 PLATED			6					
9	1	1N3568-66030	FRONT PLATE			1					
10	1	1N3513-58230	PLUG			2					
11	1	1N3568-65060	SLIDE PLATE			2					
12	1	1N3568-66000	PIPE, PLATE, BACK			1					
13	1	26018-080202	BOLT, M8X 20			10					
14	1	1N1995-66080	PLATE, BACK			1					
15	1	1N3503-66220	SCREW 6X12			6					
16	1	1N3568-64330	STAY C, FALL PREVENT			1					
17	1	26367-080002	NUT, M8			2					
18	1	1N3504-64000	BAR, BODY SUPPORT			1					
19	1	22360-080000	SNAP PIN 8			1					
20	1	22137-080000	WASHER, 8			3					
21	1	22417-250200	PIN, COTTER 2.5X20			1					
22	1	1N3568-64140	SHAFT G, DUMP			1					
23	1	1N1415-68300	LINER ML2225, M			2					
24	1	22137-160000	WASHER, 16			1					
25	1	26717-160002	NUT, M16			1					
26	1	22217-160000	WASHER, SPRING 16			1					
27	1	26757-160002	NUT, LOCK M16			1					
28	1	24761-060000	NIPPLE, GREASE MT6X1			1					
29	1	1N3568-64170	CARRIER			1					
30	1	1N3503-44000	RUBBER, STOPPER			2					
31	1	1N3503-64420	COLLAR 8.8X12X8			2					
32	1	26117-080204	BOLT M 8X 20 PLATED			2					
33	1	1N3568-64310	STAY A, FALL PREVENT			1					

Fig.18. LABELS&ACCESSORIES

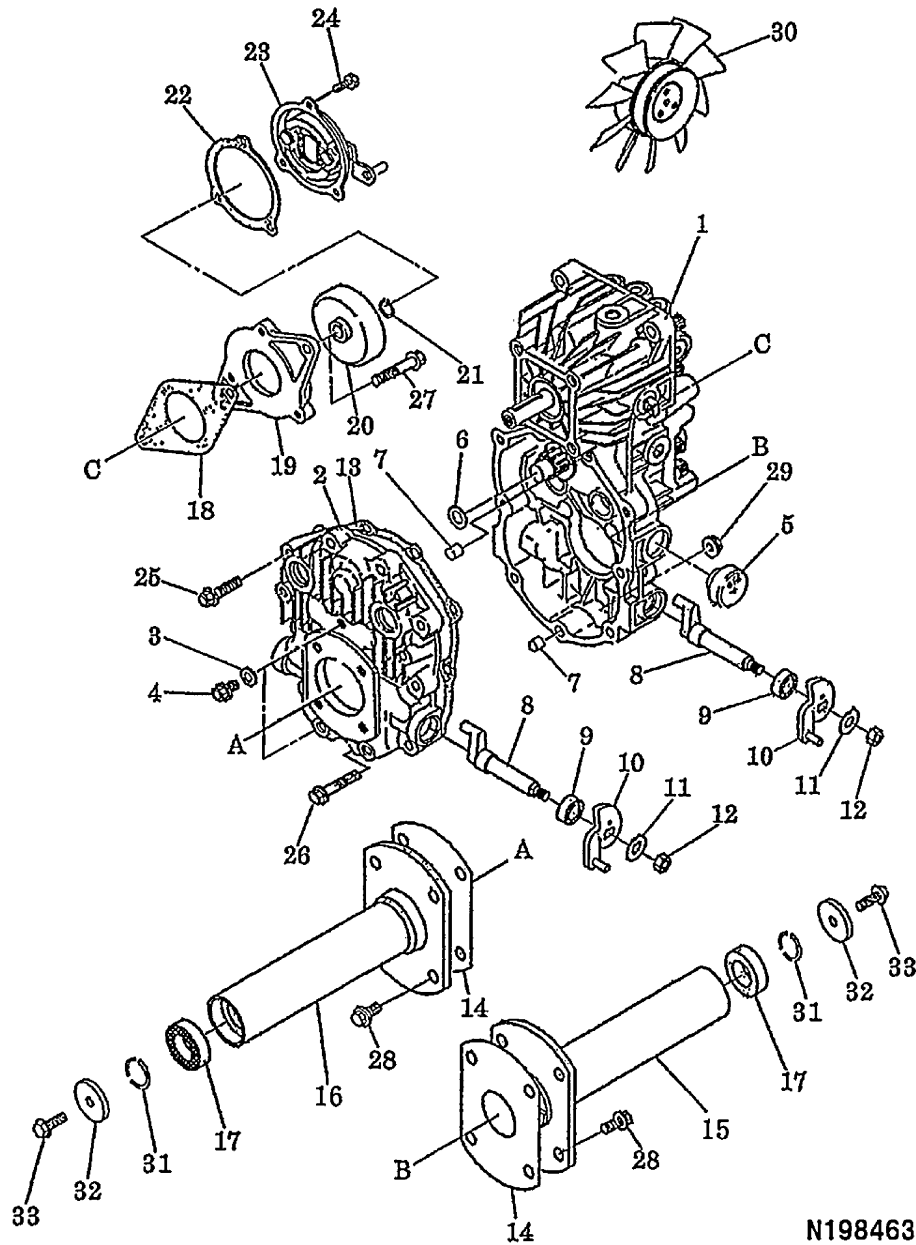
(A)=MCG950D-G
 (B)=MCG950D-S
 (C)=MCG950D-VP

(D)=
 (E)=
 (F)=



No.	Lev.	Parts No.	Description	Q'ty						I	R
				(A)	(B)	(C)	(D)	(E)	(F)		
1	1	1N3563-93020	LABEL,SAFETY	1	1	1					
2	1	1N3563-93050	LABEL,SAFETY	1	1	1					
3	1	1N1995-93060	LABEL,101DB	1	1	1					
4	1	1N3507-93160	LEVEL,OIL	1	1	1					
5	1	1N3506-93320	PLATE 500K,LOADAGE	1	1	1					
6	1	1N3568-93010	LEVEL,OPERATING	1	1	1					
7	1	1N1289-93020	LABEL	1	1	1					
8	1	1N3504-93020	STRIPE,SIDE	2	2	2					
9	1	1N3568-95100	INSTRUCTION BOOK	1	1	1					
10	1	160120-92700	WRENCH, 21 L86	1	1	1					

Fig.19. TRANSMISSION PARTS(1)



N198463

(A)=FD46CB03XC4

(B)=

(C)=

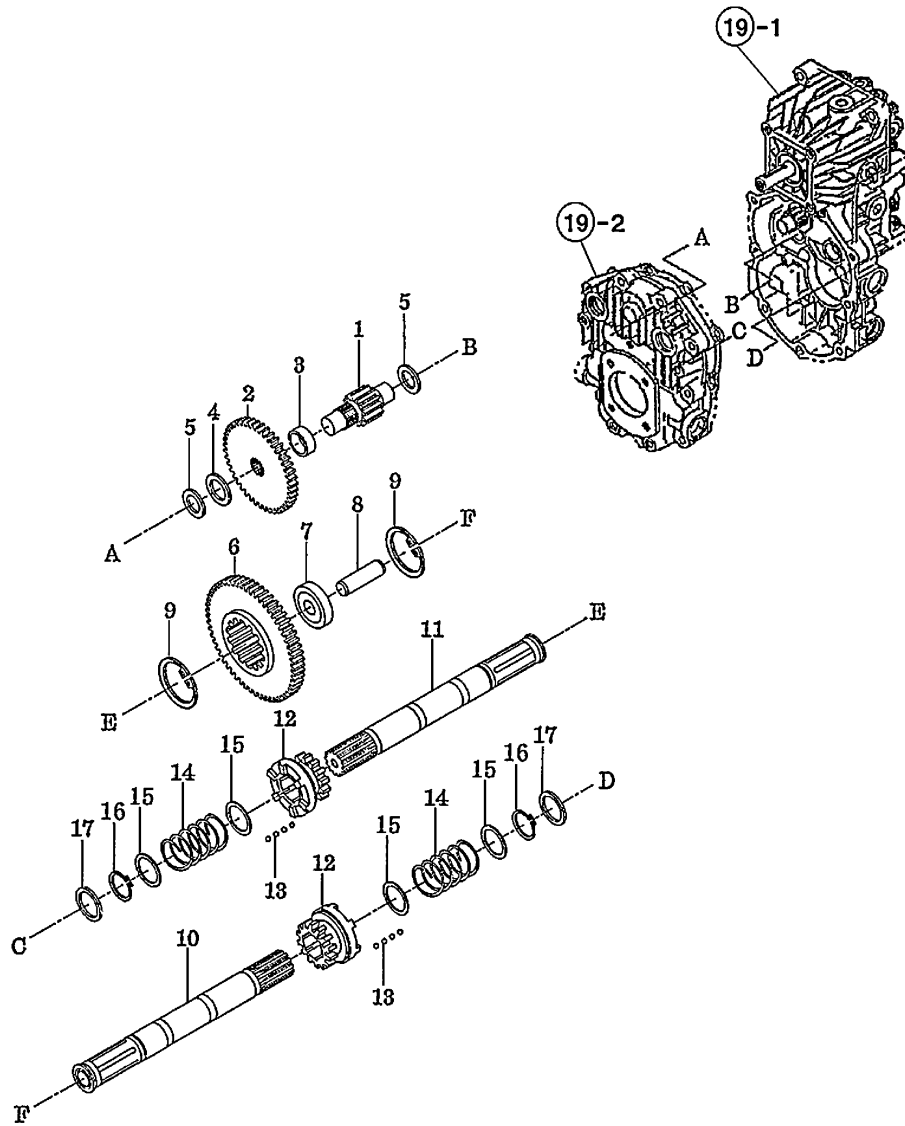
(D)=

(E)=

(F)=

No.	Lev.	Parts No.	Description	Q'ty						I	R
				(A)	(B)	(C)	(D)	(E)	(F)		
1	1	7N3568-24000	HST ASY	1							
2	1	1N3568-24000	CASE R,TRANSMISSION	1							
3	1	1N3516-24090	GASKET 8	2							
4	1	1N1181-24140	PLUG 8	2							
5	1	1N3516-24100	PLUG 21	1							
6	1	1N3516-25110	WASHER 15X24X2	1							
7	1	1N1181-24320	PIPE,KNOCK	2							
8	1	1N3568-25000	SHIFTER	2							
9	1	1N1550-26020	SEAL TC14248	2							
10	1	1N3568-25010	LEVER,COMP	2							
11	1	1N3568-25020	LOCK WASHER 8	2							
12	1	26717-080002	NUT, M8	2							
13	1	1N3516-24070	PACKING,TRANSM.CASE	1							
14	1	1N1270-25270	PACKING,AXLE CASE	2							
15	1	1N3568-24010	HOLDER,AXLE,L	1							
16	1	1N3568-24020	HOLDER,AXLE,R	1							
17	1	1N3516-24040	SEAL,OIL	2							
18	1	1N3516-25090	PACKING,BRAKE	1							
19	1	1N3516-25060	HOLDER,BRAKE	1							
20	1	1N3516-25070	DRUM,BRAKE	1							
21	1	22242-000120	RING, 12	1							
22	1	1N3516-25100	PACKING,PLATE,BACK	1							
23	1	1N3568-25030	PLATE,BACK ASSY	1							
24	1	26013-060169	BOLT, M6X 16	3							
25	1	26106-080352	BOLT, M8X 35 PLATED	4							
26	1	26106-080552	BOLT, M8X 55 PLATED	5							
27	1	26106-080452	BOLT, M8X 45 PLATED	2							
28	1	26106-080182	BOLT, M8X 18 PLATED	8							
29	1	26367-080002	NUT, M8	5							
30	1	1N3506-24010	FAN	1							
31	1	1N3504-53000	CIRCLIP	2							
32	1	1N3568-24030	WASHER 8404.5	2							
33	1	26106-080202	BOLT, M8X 20 PLATED	2							

Fig.20. TRANSMISSION PARTS(2)



N198464

(A)=FD46CB03XC4
(B)=
(C)=

(D)=
(E)=
(F)=

No.	Lev.	Parts No.	Description	Qty						I	R
				(A)	(B)	(C)	(D)	(E)	(F)		
1	1	1N3516-25000	GEAR C12	1							
2	1	1N3516-25010	GEAR B43	1							
3	1	1N3568-25040	COLLAR 20256	1							
4	1	1E1105-25140	WASHER 20X30X2	1							
5	1	1N3516-25120	WASHER 17X2	2							
6	1	1N3568-25050	GEAR D57	1							
7	1	1N3568-25060	SPACER	1							
8	1	1N3568-25070	SHAFT,D	1							
9	1	22252-000420	RING, 42	2							
10	1	1N3568-25080	SHAFT,L	1							
11	1	1N3568-25090	SHAFT,R	1							
12	1	1N3568-25100	CLUTCH	2							
13	1	1N3568-25110	BALL 5/32,STEEL	48							
14	1	1N3568-25120	SPRING	2							
15	1	1N3568-25130	WASHER 25321	4							
16	1	22242-000250	RING, 25	2							
17	1	1N3568-25140	WASHER 25322	2							

Parts No. Index

Parts No.	Fig. No.	Ref. No.
160120-92700	18	10
1A1470-40900	6	12
1E1101-61040	14	5
1E1102-71190	5	13
1E1105-25140	20	4
1E1107-61260	14	24
1E1107-61280	14	9
1E1107-62040	5	12
1E6020-83890	11	6
1E9170-64750	9	2
1N1090-61030	14	7
1N1101-36041	5	6
1N1101-44020	12	13
	13	9
1N1121-44000	6	11
1N1181-24140	19	4
1N1181-24320	19	7
1N1185-42120	2	25
	14	13
1N1190-45000	1	10
	15	36
1N1210-16060	12	4
	13	4
1N1211-47180	9	16
1N1215-51000	13	14
1N1222-58380	16	2
1N1270-25270	19	14
1N1277-61020	12	1 A
1N1277-61031	12	1 C
1N1285-61000	12	8
1N1286-33100	5	17
1N1286-61130	14	2
1N1289-93020	18	7
1N1291-22020	2	12
1N1291-58080	1	12
	2	22
	11	5
	14	20
1N1296-47040	6	7
1N1360-22090	13	26
	15	33
1N1384-61020	14	16
1N1415-68300	15	38
	16	9
	17	23
1N1430-22070	1	3
1N1520-53020	15	23
1N1526-61040	14	19
1N1540-66240	15	11
1N1550-26020	19	9

Parts No.	Fig. No.	Ref. No.
1N1991-34130	9	30
1N1995-41010	9	9
1N1995-41040	7	7
1N1995-41200	9	10
1N1995-41440	10	3
1N1995-61000	14	1
1N1995-61130	11	9
1N1995-66080	17	14
1N1995-93060	18	3
1N1996-36180	12	20
1N1996-41130	9	23
1N1996-61000	11	11
1N1996-61030	11	8
1N3501-35030	5	16
1N3501-52001	6	14
1N3501-65000	15	20
1N3503-16000	2	9
1N3503-35000	4	8
1N3503-35060	5	22
1N3503-35070	4	2
1N3503-36000	5	10
1N3503-37000	4	7
1N3503-44000	15	45
	16	17
	17	30
1N3503-52040	16	3
1N3503-53000	8	4
1N3503-53010	7	9
1N3503-53020	7	8
1N3503-58120	2	21
	3	18
1N3503-64420	15	46
	16	18
	17	31
1N3503-64900	15	35
1N3503-64920	15	5
1N3503-64930	15	4
1N3503-64970	15	32
1N3503-66220	15	18
	17	15
1N3503-66230	15	19
1N3504-53000	19	31
1N3504-64000	15	28
	16	4
	17	18
1N3504-93020	18	8
1N3505-21020	12	2
	13	2
1N3505-33040	5	11
1N3506-24010	19	30

Parts No.	Fig. No.	Ref. No.
1N3506-35020	4	6
1N3506-41100	9	24
1N3506-41180	9	25
1N3506-41190	9	20
1N3506-93320	18	5
1N3507-21030	2	5
1N3507-93160	18	4
1N3510-23110	5	19
1N3510-54760	15	53
1N3510-61010	1	2
	9	27
1N3510-61190	9	15
1N3512-61040	14	4
1N3513-42160	7	11
	8	3
	10	9
	12	12
	15	34
1N3513-58230	17	10
1N3513-69050	6	6
	10	6
1N3516-21020	2	4
1N3516-24040	19	17
1N3516-24070	19	13
1N3516-24090	19	3
1N3516-24100	19	5
1N3516-25000	20	1
1N3516-25010	20	2
1N3516-25060	19	19
1N3516-25070	19	20
1N3516-25090	19	18
1N3516-25100	19	22
1N3516-25110	19	6
1N3516-25120	20	5
1N3516-45210	14	23
1N3520-32720	13	10
1N3520-35020	5	7
1N3520-36230	5	2
1N3521-68630	3	4
1N3542-65050	15	7
1N3544-31360	17	4
1N3563-36010	5	3
1N3563-93020	18	1
1N3563-93050	18	2
1N3568-21000	2	3
1N3568-21010	2	1
1N3568-22000	1	1
1N3568-22050	1	8
1N3568-22060	2	14
1N3568-22070	2	15

Parts No.	Fig. No.	Ref. No.
1N3568-24000	19	2
1N3568-24010	19	15
1N3568-24020	19	16
1N3568-24030	19	32
1N3568-25000	19	8
1N3568-25010	19	10
1N3568-25020	19	11
1N3568-25030	19	23
1N3568-25040	20	3
1N3568-25050	20	6
1N3568-25060	20	7
1N3568-25070	20	8
1N3568-25080	20	10
1N3568-25090	20	11
1N3568-25100	20	12
1N3568-25110	20	13
1N3568-25120	20	14
1N3568-25130	20	15
1N3568-25140	20	17
1N3568-31000	3	1
1N3568-31160	3	11
1N3568-31180	3	7
1N3568-31210	3	19
1N3568-32000	3	2
1N3568-32040	3	3
1N3568-41000	7	1
1N3568-41030	7	2
1N3568-41060	10	1
1N3568-41100	10	2
1N3568-41120	9	1
1N3568-41150	9	6
1N3568-41160	9	31
1N3568-41180	9	26
1N3568-41210	9	29
1N3568-41220	9	11
1N3568-41240	10	5
1N3568-41270	9	22
1N3568-42000	8	5
1N3568-45000	12	10
1N3568-45040	12	9
1N3568-45060	12	16
1N3568-45070	12	17
	13	23
1N3568-46000	13	8
1N3568-46030	13	13
1N3568-46040	13	22
1N3568-47000	6	1
1N3568-47110	6	9
1N3568-47150	11	2
1N3568-51000	10	7

Parts No. Index

Parts No.	Fig. No.	Ref. No.
1N3568-51010	7	6
1N3568-51020	8	1
1N3568-51030	6	8
1N3568-53000	8	6
1N3568-58000	3	13
1N3568-58030	3	12
1N3568-58050	3	14
1N3568-58060	3	16
1N3568-58080	3	17
1N3568-58090	6	5
1N3568-58120	3	9
1N3568-58140	2	16
1N3568-58170	2	17
1N3568-58190	2	18
1N3568-58200	2	19
1N3568-58210	2	20
1N3568-58220	6	16
1N3568-58250	2	26
1N3568-58270	2	27
1N3568-58290	2	28
1N3568-58300	2	29
1N3568-58310	3	20
1N3568-61000	14	8
1N3568-61050	12	19
1N3568-61070	1	11
1N3568-61100	14	12
1N3568-61110	14	21
1N3568-61120	14	6
1N3568-61130	14	3
1N3568-61150	14	25
1N3568-62000	11	10
1N3568-62010	14	22
1N3568-62020	13	25
1N3568-62050	14	27
1N3568-62060	14	26
1N3568-64000	17	1
1N3568-64140	15	37
	17	22
1N3568-64170	15	44
	16	15
	17	29
1N3568-64200	15	1
1N3568-64310	15	48
	16	20
	17	33
1N3568-64320	15	24
1N3568-64330	15	25
	17	16
1N3568-64350	16	1
1N3568-64420	16	8

Parts No.	Fig. No.	Ref. No.
1N3568-65000	17	2
1N3568-65040	17	3
1N3568-65060	17	11
1N3568-65090	17	5
1N3568-65110	15	2
1N3568-65180	15	3
1N3568-66000	17	12
1N3568-66030	17	9
1N3568-66070	15	10
1N3568-66130	15	15
1N3568-66150	15	17
1N3568-66160	15	49
1N3568-66190	15	64
1N3568-66220	15	55
1N3568-66240	15	57
1N3568-66250	15	58
1N3568-66280	15	54
1N3568-66300	15	59
1N3568-66310	15	50
1N3568-66330	15	51
1N3568-66360	15	52
1N3568-93010	18	6
1N3568-95100	18	9
1N3680-58460	15	60
22137-050000	15	62
22137-060000	8	9
	10	10
22137-080000	2	10
	7	10
	8	2
	10	8
	12	11
	13	27
	15	30
	16	6
	17	20
22137-100000	5	20
	6	4
	15	13
22137-120000	3	5
	4	14
	5	8
	9	13
	14	10
22137-160000	9	17
	12	15
	15	39
	16	10
	17	24
22137-180000	14	17

Parts No.	Fig. No.	Ref. No.
22217-050000	15	61
22217-060000	2	6
	13	20
22217-080000	2	23
	5	23
	14	14
22217-100000	6	3
	12	5
	13	5
22217-120000	4	13
	5	14
22217-140000	4	10
22217-160000	15	41
	16	12
	17	26
22242-000120	7	5
	19	21
22242-000150	1	4
22242-000200	5	5
22242-000250	4	5
	9	12
	20	16
22252-000350	1	6
22252-000420	20	9
22272-000070	15	6
22351-050025	9	32
22360-080000	15	29
	16	5
	17	19
22361-060000	10	11
	13	15
22417-250200	15	31
	16	7
	17	21
22417-400400	14	18
22550-050180	12	7
	13	7
22550-050250	2	8
24101-060044	5	4
24101-060054	4	3
24104-062024	1	5
24321-001200	12	1 B
24421-304707	4	4
24761-060000	1	7
	9	28
	10	4
	12	14
	15	43
	16	14
	17	28

Parts No.	Fig. No.	Ref. No.
25123-002301	12	3
25123-003401	2	2
25123-004201	13	3
26013-060169	19	24
26018-060204	7	3
	11	3
26018-080164	2	13
26018-080202	1	9
	3	10
	6	10
	9	19
	12	18
	13	24
	15	16
	16	16
	17	13
26018-080254	3	8
	9	34
	15	26
26018-100254	3	15
26051-060002	8	10
26051-080002	2	11
	6	13
	9	21
	13	28
	15	8
26051-100002	5	21
	9	4
	13	11
	15	21
26051-120002	3	6
	5	9
	9	14
	14	11
26052-100002	5	18
26106-080182	19	28
26106-080202	19	33
26106-080352	19	25
26106-080452	19	27
26106-080552	19	26
26112-100552	9	3
26116-060164	2	7
26116-060302	8	7
26116-060352	13	19
26116-080304	2	24
26116-100252	6	2
26117-050204	13	16
26117-080164	14	15
26117-080204	15	47
	16	19

Parts No. Index

Parts No.	Fig. No.	Ref. No.
26117-080204	17	32
26117-080304	9	7
26117-080504	13	29
26117-100164	12	6
	13	6
26117-100254	15	12
26117-100304	17	8
26117-100404	17	6
26117-120254	4	12
	5	15
26117-141504	4	9
26347-060002	15	56
26347-100002	15	14
26367-060002	7	4
	8	8
	11	4
26367-080002	6	15
	15	27
	17	17
	19	29
26717-050002	13	17
	15	63
26717-060002	13	21
26717-080002	19	12
26717-160002	15	40
	16	11
	17	25
26757-080002	9	8
	12	21
	13	30
	15	9
26757-100002	9	5
	13	12
	15	22
	17	7
26757-140002	4	11
26757-160002	9	18
	15	42
	16	13
	17	27
26979-060062	9	33
7N1277-61000	12	1
7N1995-61010	13	18
7N1996-61001	13	1
7N3503-35000	4	1
7N3563-36000	5	1
7N3568-24000	19	1
HN0001-61010	11	1
HN0001-61030	11	7

Parts No.	Fig. No.	Ref. No.
-----------	----------	----------

Parts No.	Fig. No.	Ref. No.
-----------	----------	----------

Parts No.	Fig. No.	Ref. No.
-----------	----------	----------